

TEAC[®]

SERVICE MANUAL

CTM5150H

51CM CTV

CONTENTS

1. SPECIFICATION.....
2. BLOCK DIAGRAM.....
3. ALIGMENT INSTRUCTION.....
4. VOLTAGE TABLE.....
5. IC601 DATA.....
6. WIRING DIAGRAM.....

This manual is the tatest at the time of
Printing , and does not include the moditieation
Which may be made offer the Printing, by the
Constant improvement of Product.

<u>ITEMS OF MEASUREMENT</u>	<u>STANDARD</u>	<u>UNIT</u>
VIDEO SENS. AT S/N 30db	L - VHF ≤ 57	dbuv
	H - VHF ≤ 57	dbuv
	UHF ≤ 60	dbuv
SOUND SENS. AT S/N 30db	L - VHF ≤ 42	dbuv
	H - VHF ≤ 42	dbuv
	UHF ≤ 48	dbuv
AGC CHARACTER	≥ 60	db
SELECTIVITY -1.5 MHz	≥ 35	db
+ 8 MHz	≥ 40	db
COLOR SENS.	≤ 45	dbuv
COLOR LOCK - IN RANGE	$\geq \pm 300$	Hz
VERTICAL LOCK - IN RANGE	≥ 6	Hz
HORIZONTAL LOCK - IN RANGE	≥ 400	Hz
MAX BRIGHTNESS	≥ 140	cd / m2
MAX OUTPUT POWER	≥ 1	W
OUTPUT POWER AT 10% THD	≥ 0.7	W
BUZZ	≤ -40	db
AFC RANGE	$\geq +1$	MHz
	≥ -0.5	MHz
MIN. VOL HUM	≤ 20	mV
RESOLUTION HORIZONTAL	≥ 300	LINES
VERTICAL	≥ 400	LINES
LINEARITY DISTORTION VERTICAL	≤ 10	%
HORIZONTAL	≤ 10	%
RASTER DISTORTION	≤ 5	%
REMOTE CONTROL DISTANCE	≥ 5	METER
ANGLE	$\geq \pm 15$	DEGREE
POWER CONSUMPTION (AT NORMAL CONDITION)	≤ 60	WATTS
POWER CONSUMPTION (AT MAX. CONDITION)	≤ 70	WATTS
CONVERGENCE DISLOCATION AT AREA "A"	≤ 0.4	%
AREA "B"	≤ 0.8	%
(see fig.1)		

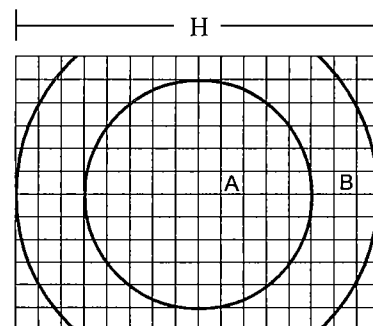


Fig.1

VIDEO INPUT LEVEL : 1.0V P-P \pm 3dB
 AUDIO INPUT LEVEL : 0.5V RMS \pm 3dB

<u>ITEMS OF MEASUREMENT</u>	<u>STANDARD</u>	<u>UNIT</u>	
VIDEO SENS. AT S/N 30db	L - VHF H - VHF UHF	≤ 57 ≤ 57 ≤ 60	dbuv dbuv dbuv
SOUND SENS. AT S/N 30db	L - VHF H - VHF UHF	≤ 42 ≤ 42 ≤ 48	dbuv dbuv dbuv
AGC CHARACTER		≥ 60	db
SELECTIVITY -1.5 MHz + 8 MHz		≥ 35 ≥ 40	db db
COLOR SENS.		≤ 45	dbuv
COLOR LOCK - IN RANGE		$\geq \pm 300$	Hz
VERTICAL LOCK - IN RANGE		≥ 6	Hz
HORIZONTAL LOCK - IN RANGE		≥ 400	Hz
MAX BRIGHTNESS		≥ 120	cd/m ²
MAX OUTPUT POWER		≥ 1.8	W
OUTPUT POWER AT 10% THD		≥ 1.3	W
BUZZ		≤ -40	db
AFC RANGE		$\geq +1$ ≥ -0.5	MHz MHz
MIN. VOL HUM		≤ 20	mV
RESOLUTION HORIZONTAL VERTICAL		≥ 300 ≥ 400	LINES LINES
LINEARITY DISTORTION VERTICAL HORIZONTAL		≤ 10 ≤ 10	% %
RASTER DISTORTION		≤ 5	%
REMOTE CONTROL DISTANCE ANGLE		≥ 5 $\geq \pm 15$	METER DEGREE
POWER CONSUMPTION (AT NORMAL CONDITION) POWER CONSUMPTION (AT MAX. CONDITION)		≤ 70 ≤ 85	WATTS WATTS
CONVERGENCE DISLOCATION AT AREA "A" AREA "B" (see fig.2)		≤ 0.4 ≤ 0.8	% %

VIDEO INPUT LEVEL : 1.0V P-P \pm 3dB
AUDIO INPUT LEVEL : 0.5V RMS \pm 3dB

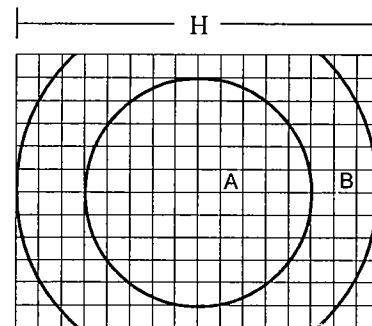


Fig.2

S P E C I F I C A T I O N

SUPPLY VOLTAGE : AC 220V 50Hz $\geq +10\%$ / -20%

MODEL : 14"

SYSTEM :	PAL - I / I	PAL - BG	PAL - I (UK)	PAL - SECAM - BG / DK	PAL - SECAM - BG / DK (HYPER)	PAL - BG (HYPER)	PAL - BG (CATV)	SECAM - L	L'	
CHANNEL L - VHF :		2 - 4		1 - 5	1 - 5	E2 - S10	E2 - S2		F8 - FC	CH
H - VHF :	4 - 13	5 - 12		6 - 12	6 - 12	E5 - S41	E5 - S20	1 - Q		CH
UHF :	21 - 69	21 - 69	21 - 69	21 - 69	21 - 69	E21 - E69	E21 - E69	21 - 69		CH
VIF FREQUENCY :	38.9	38.9	39.5	38.0	38.9	38.9	38.9	38.9	32.7	MHz
SIF FREQUENCY :	32.9	33.4	33.5	31.5 32.5	32.4 33.4	33.4	33.4	32.4	39.2	MHz
CHROMA IF FREQUENCY :	34.47	34.47	35.07	33.57 33.57	34.47 34.47	34.47	34.47	34.47		MHz
INTER-CARRIER FREQUENCY :	6.0	5.5	6	6.5 5.5	6.5 5.5	5.5	5.5	6.5	6.5	MHz
SCANNING HORIZONTAL : VERTICAL :	15625 LINE 50 Hz									
ANTENNA INPUT IMPEDANCE :	75 OHM									
CRT :	14"									

S P E C I F I C A T I O N

SUPPLY VOLTAGE : AC 220V 50Hz \pm 10% / -20%

MODEL : 20" - 21"

SYSTEM :	PAL - I / I	PAL - BG	PAL - I (UK)	PAL - SECAM - BG / DK	PAL - SECAM - BG / DK (HYPER)	PAL - BG (HYPER)	PAL - BG (CATV)	SECAM - L	L'	
CHANNEL L - VHF :		2 - 4		1 - 5	1 - 5	E2 - S10	E2 - S2		FB - FC	CH
H - VHF :	4 - 13	5 - 12		6 - 12	6 - 12	E5 - S41	E5 - S20	1 - Q		CH
UHF :	21 - 69	21 - 69	21 - 69	21 - 69	21 - 69	E21 - E69	E21 - E69	21 - 69		CH
VIF FREQUENCY :	38.9	38.9	39.5	38.0	38.9	38.9	38.9	38.9	32.7	MHz
SIF FREQUENCY :	32.9	33.4	33.5	31.5 32.5	32.4 33.4	33.4	33.4	32.4	39.2	MHz
CHROMA IF FREQUENCY :	34.47	34.47	35.07	33.57 33.57	34.47 34.47	34.47	34.47	34.47		MHz
INTER-CARRIER FREQUENCY :	6.0	5.5	6	6.5 5.5	6.5 6.5	5.5	5.5	6.5	6.5	MHz
SCANNING HORIZONTAL :	15625 LINE 50 Hz 75 OHM 20" - 21"									
VERTICAL :										
ANTENNA INPUT IMPEDANCE :										
CRT :										

ALIGNMENT INSTRUCTION

I. PLEASE READ BEFORE ATTEMPTING SERVICE

1. Do not connect any antenna plug directly to the tuner socket and do not connect any equipments directly to the TV chassis, otherwise it may be burnt out the TV or equipment, except an isolation transformer is used for main power source or the TV sets.
2. Never disconnect any leads while receiver is in operation.
3. Disconnect all power before attempting any repairs.
4. Do not short any portion of the circuit while power is on.
5. For safety reasons, all parts replaced should be identical (for parts and part numbers see parts list).
6. Before alignment the set must be pre-heated for 30 minutes or more and erase magnetism thoroughly from CRT front chassis frame by erase coil.

II. TEST EQUIPMENT

- | | |
|-------------------------------|--|
| 1. Colour Bar/Dot/Cross Hatch | 5. High Voltage Meter |
| 2. Oscilloscope | 6. Ampere Meter (0.5 Class, DC 3mA Max.) |
| 3. Vacuum Tube Voltmeter | 7. Demagnetizing Coil |
| 4. Volt Ohmmeter | 8. Closed Caption Encoder |
| | 9. High Pot Tester. |

I. B+ ADJUSTMENT

1. Connect a digital voltmeter to B+ and Ground.
2. Set Brightness Contrast to minimum.
3. Adjust Screen Volume on FBT until the picture can just be seen.
4. Adjust VR901 to obtain a reading of $112 \pm 0.5V$ (FOR samsung CRT).

II. AFC ALIGNMENT

1. Disconnect the soldering pad 'F'.
2. Input the signal from Pattern Generator (IF 38.9MHz) colour bar to R101 and GND.
3. Adjust the T101 until the colour bar show on the screen.
4. Select SELF VCO in D-MODE.
5. Press the AFC button on the handset.
6. About few seconds screen will show AFT OK.

*REMARK: No this factory on Normal R.C.

III. AGC ALIGNMENT

1. Receive CH69 (UHF) and input field strength. TUNER Input Signal $62 \pm 3dB$,
 2. Connect a digital Voltmeter between the TUNER AGC Terminal and Ground.
 3. Select RAGC item, Adjust the value to 3F, and then adjust the AGC value obtain the voltage drop down 0.4V.
- Remark: 1 The drop down voltage should be more than and tends to 0.4V.
2 No observable noise can be seen.

IV. VERTICAL LINEARTY ADJUSTMENT

1. PAL (50Hz) Adjustment
 - (1). Receive Crosshatch Pattern (50Hz).
 - (2). Select VLIS item adjust value to normal regular picture.
2. NTSC (60Hz) Adjustment.
 - (1). Receive Cross hatch Patter (60Hz).
 - (2). Select VILN item adjust value to normal regular picture.
 3. Repeat 1.2. receive Cross hatch 50Hz and 60Hz is same picture.

V. VERTICAL HEIGHT ADJUSTMENT

1. PAL (50Hz) Adjust.
 - (1). Receive Mono scope Patter (50Hz).
 - (2). Select HITS item adjust value to normal regular picture.
2. NTSC (60Hz).
 - (1). Receive Mono scope Patter (60Hz).
 - (2). Select HIT item adjust value to normal regular picture
 3. Repeat 1.2. receive Mono Scope Patter 50Hz and 60Hz is same picture.

VIII. WHITE BALANCE ALIGNMENT STEP

(Deqauss the picture by deqaussing coil if necessary)

1. Disconnect the any input signal, set the blue black OFF.
2. Enter to D HODE.
3. Adjust the RCUT, GCUT, BCUT value to 80, GDRV, BDRV to 45, BRTS to CO.
4. Adjust the BRIGHT, CONT to min.
5. Akjust the screen VR (on the FBT) until the show cannot just be screen.
6. Connect the VOLT meter '+' to CRT BOARD G2, (-) to GND and get the reading value.
7. Adjust the screen VR lead the reading value reduce $25 \pm 5v$
8. Adjust the BRTS set to F6, and set BRIGHT, CONT to mid.
9. Receive a Black and White Pattern.
10. Select Remote handset direct key (2) and (3) button adjust GCUT and BCUT to minimum value, Press(1) button adjust RCUT to middle value.
11. Press Picture mode, select Brightness and Contrast adjust value to minimum.
12. Press handset direct key (2) button to obtain a yellow line.
13. Press handset direct key (3) button to obtain a white line.
14. Press handset direct key (-/--) button again.
15. Press CH button select GDRV and BDRV item adjust value to make the
16. picture unifoumlywhite ($9300^{\circ}K \pm 3JND$).

IX. SUB-BRIGHTNESS ALIGNMENT

1. Receive a Colour Bar Pattern.
2. Press PICTURE mode select BRIGHTNESS, CONTRAST adjust value to minimum.
3. Select BRTS in D-MODE.
4. Adjust value the brightness bar can just be seen.

X. FOCUS ALIGHMENT

1. Set the Brightness and Contrast to middle position.
2. Receive a Monoscope Pattern.
3. Adjust focus control to obtain sharpest picture.

XI. HIGH POT TESTING

- 1) Short the L-pole and N-pole of AC line cord.
- 2) Switch on the power switch of the TV Set.
- 3) Connect The High Pot Tester (-) to L and N pole, (+) to the METAL PART of CABINET.

SAFETY STD.	CONDITION	TEST SYANDARD	TEST STANDARN FOR PRODUCTION
VDE,SAA		3.0KV 10mA / 1MIN	$\geq 3.5KV \leq 10mA / \geq 10 SEC.$
UL		1.0KV 5mA / 1MIN	$\geq 1.25KV \leq 5mA / \geq 1 SEC.$

REMARK:

- (1). If no other specity, the strength of input signal should be $70dB \pm 10dB$.
- (2). The HIGH POT TESTER can have $\leq \pm 5\%$ tolerance.

Model: 21"
 Chassis: I²C technology.
 Picture Tube: SAMSUNG, Type:A51KQK99X01, S/N:2090344252

Service Mode Data

Item	Parameter	C o d e		Value SAMSUNG 21"		
1	RCUT	I		83		
2	GCUT	I		D8		
3	BCUT	I		85		
4	GDRV	I		49		
5	BDRV	I		49		
6	CNTX	A		3A		
7	BRTC	A		47		
8	COLC	A		30		
9	TNTC	A		3A		
10	COLP	A		33		
11	COLS	A		2E		
12	SCNT	A		0E		
13	CNTC	A		2B		
14	CNTN	A		06		
15	BRTX	A		23		
16	BRTN	A		21		
17	COLX	A		25		
18	COLN	A		00		
19	TNTX	A		30		
20	TNTN	A		30		
21	ST3	A		09		
22	SV3	A		09		
23	ST4	A		09		
24	SV4	A		10		
25	SHPX	A		12		
26	SHPN	A		05		
27	TXCX	I		2A		
28	RGCN	I		1E		
29	VMO	N		2C		
30	VM1	N		00		
31	HPOS	I		06		

32	VP50	I			03		
33	HIT	I			16		
34	HPS	I			04		
35	VP60	I			00		
36	HITS	I			02		
37	VLIN	I			0C		
38	VSC	I			08		
39	VLIS	I			FF		
40	DPC	N			00		
41	DPCS	N			00		
42	KEY	N			00		
43	KEYS	N			00		
44	WID	N			00		
45	WIDS	N			00		
46	VCP	N			00		
47	CNR	N			00		
48	HCP	N			00		
49	SBY	A			08		
50	SRY	A			08		
51	RAGC	I			21		
52	AFT	N			27		
53	HAFC	N			00		
54	V25	A			3E		
55	V50	A			4A		
56	BRTS	I			04		
57	VM2	N			30		
58	MOD0	A			00		
59	MOD1	A			12		
60	MOD2	N			00		
61	SELF	N			00		
62	SELF VCO	N			80		
63	SELF AGC	N			69		
64	SELF BRTC	N			75		
65	SELF CNTC	N			23		
66	SELF TNTC	N			00		
67	SELF COL	N			20		
68	LOGO	A			01		
69	LANG	A			00		
70	IF FREQ	A			03		
71	OSD	I			02		
72	OPT	N			04		

SAMSUNG, Type: A51KQK99X01

Adjustment codes:

- I Data adjustable individually for each unit.
- A Adjustable parameter.Changes need Engineering Department approval.
- N Non adjustable parameter.

Model: 21"
 Chassis: I²C technology.
 Picture Tube: SEG-HITACHI, Type:A51JSY63X13, S/N:SH9E210453

Service Mode Data

Item	Parameter	C o d e		Value HITACHI 21"		
1	RCUT	I		83		
2	GCUT	I		84		
3	BCUT	I		86		
4	GDRV	I		4A		
5	BDRV	I		43		
6	CNTX	A		3A		
7	BRTC	A		43		
8	COLC	A		30		
9	TNTC	A		3A		
10	COLP	A		30		
11	COLS	A		2F		
12	SCNT	A		0E		
13	CNTC	A		27		
14	CNTN	A		06		
15	BRTX	A		2A		
16	BRTN	A		21		
17	COLX	A		25		
18	COLN	A		00		
19	TNTX	A		30		
20	TNTN	A		30		
21	ST3	A		09		
22	SV3	A		09		
23	ST4	A		09		
24	SV4	A		10		
25	SHPX	A		12		
26	SHPN	A		05		
27	TXCX	I		27		
28	RGCN	I		27		
29	VMO	N		2C		
30	VM1	N		00		
31	HPOS	I		09		

32	VP50	I			03		
33	HIT	I			11		
34	HPS	I			04		
35	VP60	I			01		
36	HITS	I			02		
37	VLIN	I			0C		
38	VSC	I			08		
39	VLIS	I			FF		
40	DPC	N			00		
41	DPCS	N			00		
42	KEY	N			00		
43	KEYS	N			00		
44	WID	N			00		
45	WIDS	N			00		
46	VCP	N			00		
47	CNR	N			00		
48	HCP	N			00		
49	SBY	A			08		
50	SRY	A			08		
51	RAGC	I			1F		
52	AFT	N			40		
53	HAFC	N			00		
54	V25	A			3E		
55	V50	A			4A		
56	BRTS	I			08		
57	VM2	N			30		
58	MOD0	A			00		
59	MOD1	A			12		
60	MOD2	N			00		
61	SELF	N			00		
62	SELF VCO	N			80		
63	SELF AGC	N			69		
64	SELF BRTC	N			75		
65	SELF CNTC	N			23		
66	SELF TNTC	N			00		
67	SELF COL	N			20		
68	LOGO	A			01		
69	LANG	A			00		
70	IF FREQ	A			03		
71	OSD	I			00		
72	OPT	N			04		

SEG-HITACHI, Type: A51JSY63X13

Adjustment codes:

- I Data adjustable individually for each unit.
- A Adjustable parameter.Changes need Engineering Department approval.
- N Non adjustable parameter.

Model: 20"
 Chassis: I²C technology.
 Picture Tube: LG, Type:A48QAD220X06, S/N:C9806005382 S

Service Mode Data

Item	Parameter	C o d e		Value		
				LG 20"		
1	RCUT	I		0		
2	GCUT	I		65		
3	BCUT	I		64		
4	GDRV	I		55		
5	BDRV	I		4A		
6	CNTX	A		3F		
7	BRTC	A		45		
8	COLC	A		30		
9	TNTC	A		3A		
10	COLP	A		33		
11	COLS	A		2E		
12	SCNT	A		0E		
13	CNTC	A		25		
14	CNTN	A		06		
15	BRTX	A		20		
16	BRTN	A		21		
17	COLX	A		25		
18	COLN	A		00		
19	TNTX	A		30		
20	TNTN	A		30		
21	ST3	A		09		
22	SV3	A		09		
23	ST4	A		09		
24	SV4	A		10		
25	SHPX	A		16		
26	SHPN	A		05		
27	TXCX	I		20		
28	RGCN	I		20		
29	VMO	N		2C		
30	VM1	N		00		
31	HPOS	I		0A		

32	VP50	I			03		
33	HIT	I			05		
34	HPS	I			04		
35	VP60	I			00		
36	HITS	I			01		
37	VLIN	I			0D		
38	VSC	I			07		
39	VLIS	I			FF		
40	DPC	N			00		
41	DPCS	N			00		
42	KEY	N			00		
43	KEYS	N			00		
44	WID	N			00		
45	WIDS	N			00		
46	VCP	N			00		
47	CNR	N			00		
48	HCP	N			00		
49	SBY	A			08		
50	SRY	A			08		
51	RAGC	I			1A		
52	AFT	N			19		
53	HAFC	N			00		
54	V25	A			3E		
55	V50	A			4A		
56	BRTS	I			0A		
57	VM2	N			30		
58	MOD0	A			00		
59	MOD1	A			12		
60	MOD2	N			00		
61	SELF	N			00		
62	SELF VCO	N			80		
63	SELF AGC	N			69		
64	SELF BRTC	N			75		
65	SELF CNTC	N			23		
66	SELF TNTC	N			00		
67	SELF COL	N			20		
68	LOGO	A			01		
69	LANG	A			00		
70	IF FREQ	A			03		
71	OSD	I			06		
72	OPT	N			04		

LG,4828

Adjustment codes:

- I Data adjustable individually for each unit.
- A Adjustable parameter.Changes need Engineering Department approval.
- N Non adjustable parameter.

Model: 14"
 Chassis: I²C technology.
 Picture Tube: SAMSUNG, Type:A34KQV42X02, S/N:7881202225

Service Mode Data

Item	Parameter	C o d e		Value SAMSUNG 14"		
1	RCUT	I		80		
2	GCUT	I		67		
3	BCUT	I		6D		
4	GDRV	I		4A		
5	BDRV	I		44		
6	CNTX	A		3A		
7	BRTC	A		4C		
8	COLC	A		40		
9	TNTC	A		3A		
10	COLP	A		31		
11	COLS	A		2E		
12	SCNT	A		0E		
13	CNTC	A		24		
14	CNTN	A		0C		
15	BRTX	A		22		
16	BRTN	A		32		
17	COLX	A		25		
18	COLN	A		00		
19	TNTX	A		30		
20	TNTN	A		30		
21	ST3	A		07		
22	SV3	A		07		
23	ST4	A		07		
24	SV4	A		10		
25	SHPX	A		10		
26	SHPN	A		05		
27	TXCX	I		25		
28	RGCN	I		20		
29	VMO	N		2C		
30	VM1	N		00		
31	HPOS	I		11		

32	VP50	I			05		
33	HIT	I			14		
34	HPS	I			08		
35	VP60	I			01		
36	HITS	I			00		
37	VLIN	I			0A		
38	VSC	I			08		
39	VLIS	I			FF		
40	DPC	N			00		
41	DPCS	N			00		
42	KEY	N			00		
43	KEYS	N			00		
44	WID	N			00		
45	WIDS	N			00		
46	VCP	N			00		
47	CNR	N			00		
48	HCP	N			00		
49	SBY	A			08		
50	SRY	A			08		
51	RAGC	I			25		
52	AFT	N			40		
53	HAFC	N			00		
54	V25	A			3E		
55	V50	A			4A		
56	BRTS	I			FD		
57	VM2	N			30		
58	MOD0	A			00		
59	MOD1	A			02		
60	MOD2	N			00		
61	SELF	N			00		
62	SELF VCO	N			80		
63	SELF AGC	N			69		
64	SELF BRTC	N			75		
65	SELF CNTC	N			23		
66	SELF TNTC	N			00		
67	SELF COL	N			20		
68	LOGO	A			01		
69	LANG	A			00		
70	IF FREQ	A			03		
71	OSD	I			00		
72	OPT	N			04		

Adjustment codes:

- I Data adjustable individually for each unit.
- A Adjustable parameter.Changes need Engineering Department approval.
- N Non adjustable parameter.

Model: 14"
 Chassis: I²C technology.
 Picture Tube: IRICO, Type:37SX110Y22-DC05, S/N:97020510

Service Mode Data

Item	Parameter	C o d e		Value IRICO 14"		
1	RCUT	I		82		
2	GCUT	I		CA		
3	BCUT	I		85		
4	GDRV	I		52		
5	BDRV	I		4A		
6	CNTX	A		3F		
7	BRTC	A		3F		
8	COLC	A		30		
9	TNTC	A		3A		
10	COLP	A		30		
11	COLS	A		2E		
12	SCNT	A		0E		
13	CNTC	A		2A		
14	CNTN	A		0C		
15	BRTX	A		22		
16	BRTN	A		36		
17	COLX	A		25		
18	COLN	A		00		
19	TNTX	A		30		
20	TNTN	A		30		
21	ST3	A		07		
22	SV3	A		07		
23	ST4	A		07		
24	SV4	A		10		
25	SHPX	A		10		
26	SHPN	A		05		
27	TXCX	I		25		
28	RGCN	I		20		
29	VMO	N		2C		
30	VM1	N		00		
31	HPOS	I		0B		

32	VP50	I			02		
33	HIT	I			12		
34	HPS	I			04		
35	VP60	I			02		
36	HITS	I			2E		
37	VLIN	I			0B		
38	VSC	I			08		
39	VLIS	I			FF		
40	DPC	N			00		
41	DPCS	N			00		
42	KEY	N			00		
43	KEYS	N			00		
44	WID	N			00		
45	WIDS	N			00		
46	VCP	N			00		
47	CNR	N			00		
48	HCP	N			00		
49	SBY	A			08		
50	SRY	A			08		
51	RAGC	I			24		
52	AFT	N			1E		
53	HAFC	N			00		
54	V25	A			3E		
55	V50	A			4A		
56	BRTS	I			14		
57	VM2	N			30		
58	MOD0	A			00		
59	MOD1	A			02		
60	MOD2	N			00		
61	SELF	N			00		
62	SELF VCO	N			80		
63	SELF AGC	N			69		
64	SELF BRTC	N			75		
65	SELF CNTC	N			23		
66	SELF TNTC	N			00		
67	SELF COL	N			20		
68	LOGO	A			01		
69	LANG	A			00		
70	IF FREQ	A			03		
71	OSD	I			12		
72	OPT	N			04		

Picture Tube: IRICO, Type: 37SX110Y22-DC05, S/N: 97020510

Adjustment codes:

- I Data adjustable individually for each unit.
- A Adjustable parameter. Changes need Engineering Department approval.
- N Non adjustable parameter.

Model: 14"
 Chassis: I²C technology.
 Picture Tube: Orion, Type:A34JLL90X32

Service Mode Data

Item	Parameter	C o d e		Value Orion 14"		
1	RCUT	I		7E		
2	GCUT	I		94		
3	BCUT	I		6D		
4	GDRV	I		40		
5	BDRV	I		41		
6	CNTX	A		3F		
7	BRTC	A		4C		
8	COLC	A		33		
9	TNTC	A		3A		
10	COLP	A		29		
11	COLS	A		2E		
12	SCNT	A		0E		
13	CNTC	A		20		
14	CNTN	A		0C		
15	BRTX	A		22		
16	BRTN	A		32		
17	COLX	A		25		
18	COLN	A		00		
19	TNTX	A		30		
20	TNTN	A		30		
21	ST3	A		07		
22	SV3	A		07		
23	ST4	A		07		
24	SV4	A		10		
25	SHPX	A		10		
26	SHPN	A		05		
27	TXCX	I		25		
28	RGCN	I		20		
29	VMO	N		2C		
30	VM1	N		00		
31	HPOS	I		0C		

32	VP50	I			00		
33	HIT	I			12		
34	HPS	I			03		
35	VP60	I			01		
36	HITS	I			03		
37	VLIN	I			0C		
38	VSC	I			09		
39	VLIS	I			02		
40	DPC	N			00		
41	DPCS	N			00		
42	KEY	N			00		
43	KEYS	N			00		
44	WID	N			00		
45	WIDS	N			00		
46	VCP	N			00		
47	CNR	N			00		
48	HCP	N			00		
49	SBY	A			08		
50	SRY	A			08		
51	RAGC	I			25		
52	AFT	N			13		
53	HAFC	N			00		
54	V25	A			3E		
55	V50	A			4A		
56	BRTS	I			15		
57	VM2	N			30		
58	MOD0	A			00		
59	MOD1	A			02		
60	MOD2	N			00		
61	SELF	N			00		
62	SELF VCO	N			80		
63	SELF AGC	N			69		
64	SELF BRTC	N			75		
65	SELF CNTC	N			23		
66	SELF TNTC	N			30		
67	SELF COL	N			20		
68	LOGO	A			01		
69	LANG	A			00		
70	IF FREQ	A			03		
71	OSD	A			00		
72	OPT	N			04		

Orion, Type: A34JLL90X32

Adjustment codes:

- I Data adjustable individually for each unit.
- A Adjustable parameter. Changes need Engineering Department approval.
- N Non adjustable parameter.

- TB1238N Adjustment in D-Mode
Show the D-Mode Items information

Mode	For PAL	For NTSC	Remark
D	RCUT	RCUT	R CUTOFF
	GCUT	GCUT	G CUTOFF
	BCUT	BCTU	B CUTOFF
	GDRV	GDRV	G DRIVE
	BDRV	BDRV	B DRIVE
	CNTX	CNTX	SUB CONTRAST MAX
	BRTC	BRTC	SUB BRIGHT CENTER
	COLC	COLC	SUB COLOR CENTER for NTSC
	TNTC	TNTC	SUB TINT CENTER
	COLP		SUB COLOR CENTER for PAL (DIFFERENCE)
	COLS		SUB COLOR CENTER for SECAM
	SCNT	SCNT	Y-SUB CONTRAST
	CNTC	CNTC	SUB CONTRAST CENTER
	CNTN	CNTN	SUB CONTRAST MINIMUM
	BRTX	BRTX	SUB BRIGHT MAX (DIFFERENCE)
	BRTN	BRTN	SUB BRIGHT MIN (DIFFERENCE)
	COLX	COLX	SUB COLOR MAX (DIFFERENCE)
	COLN	COLN	SUB COLOR MIN
	TNTX	TNTX	SUB TINT MAX (DIFFERENCE)
	TNTN	TNTN	SUB TINT MIN (DIFFERENCE)

Mode	For PAL	For NTSC	Remark
D	ST3	ST3	SUB SHARP CENTER NTSC3.58 in TV
	SV3	SV3	SUB SHARP CENTER NTSC3.58 in VIDEO
	ST4	ST4	SUB SHARP CENTER other color system in TV
	SV4	SV4	SUB SHARP CENTER other color system in VIDEO
	SHPX		SUB SHARPNESS MAX points from Center value
	SHPN		SUB SHARPNESS MIN points from Center value
	TXCX		RGB Contrast data at MAX data of user contrast
	RGCN		RGB Contrast data at MIN data of user contrast
	VM0		VCD mode data 0 (Setting Data of TB1238) Bit 7: F-ID, Bit 6: CW-SW, Bit 5,4: BAL Start Point Bit 3,2: ABL-Gain Bit 1: WPS Bit 0: ID-SW
	VM1		VCD mode data 1 (Setting Data of TB1238) Bit 7: No use , Bit 6: N-COM, Bit 5-1: V-Mute Timing Bit 0: BLK V-Mute Timing = 200ms + 8ms * Data
	HPOS		50Hz Horizontal Phase
	VP50		50Hz Vertical Phase
	HIT		50Hz Vertical Amplitude
	HPS	HPS	Shift data of 50Hz / 60 Hz Horizontal Phase
	VP60	VP60	60Hz Vertical Phase
	HITS	HITS	Shift data of 50Hz / 60Hz Vertical Amplitude
	VLIN		V-LINEARITY
	VSC		V-S CORRECTION
	VLIS	VLIS	Shift data of 50Hz / 60Hz V-LINEARITY
	DPC		
	DPCS		
	KEY		
	EKYS		
	WID		
	WIDS		
	VCP		
	CNR		
	HCP		
	SBY		SECAM B-Y
	SRY		SECAM R-Y
	RAGC	RAGC	RF AGC adjustment
	AFT		PIF VCO adjustment
	HAFC		1/2 AFC data adjustment
	V25		Volume output data at 25%
	V50		Volume output data at 50%
	BRTS		SUB Brightness (DIFFERENCE)
	VM2		
	MOD0		
	MOD1		
	MOD2		
SELF			
SELF VCO			
SELF AGC			
SELF BRTC			
SELF CNTC			
SELF TNTC			
SELF COL			
LOGO			
LANG			
IF FREQ			
OSD			
OPT			

MOD0

SYS	DATA	
	CPU: 133-328738-14 133-358738-14	CPU: 133-358738-14
	FOR SAA 5254	FOR STV 5348
PAL SECAM TEXT CCD NTSC	46	47
PAL SECAM NTSC TEXT	42	43
PAL SECAM NTSC CCD	44	44
PAL NTSC TEXT CCD	06	07
PAL NTSC TEXT	02	03
PAL NTSC CCD	04	04
PAL NTSC	00	00
PAL SECAM NTSC	40	40

TABLE 1.

MOD1

PROGRAM	VIDEO	DATA		
		CPU:133-328738-14 133-358738-14	CPU: 133-358738-14	
		FOR AV MODE	For AV STERO	For SCART
50	TV—VIDEO	00	20	04
100	TV—VIDEO	02	22	06
50	TV—VIDEO 1—VIDEO 2	10	30	14
100	TV—VIDEO 1—VIDEO 2	12	32	16

TABLE 2.

MOD2

SOUND	SYSTEM	DATA	
		CPU:133-328738-14 133-358738-14 (PIN14 POSITIVE)	CPU : 133-358738-14 (PIN 14 NEGATIVE)
BG or DK or I		00	20
DK . I		0A	2A
BG . DK		0C	2C
BG . I		06	26

TABLE 3.

LOGO

NO LOGO	00
TEAC	01
ROWA	02

TABLE 4.

LANG

ENGLISH	00
ENGLISH ; FRANCAIS ;ITALIALNO	01
ENGLISH ; RUSSIAN	02

TABLE 5.

IF FREQ

MHz	DATA
39.5	02
38.9	03
38.0	04

TABLE 6.

For 14"

VOLTAGE TABLE FOR TRANSISTOR (ONLY FOR REFERENCE)

SYMBOL	B (V)	C (V)	E (V)	SYMBOL	B (V)	C (V)	E (V)
Q101	1.3	9.0	0.6	Q507	0	9.0	0.1
Q102	3.6	8.9	2.9	Q508	0.5	0	1.2
Q103	4.3	8.9	3.7	Q601	5.0	5.1	4.5
Q104	2.8	0	3.5	Q603	0.6	0	0
Q105	6.3	8.9	5.5	Q604	0	5.1	0
Q106	1.4	0	2.1	Q605	0	4.9	0
Q201	17.5	1.1	17.2	Q606	-0.8	4	0
Q202	0.6	0	0	Q801	3.0	2.3	2.3
Q203	16	15.3	15.3	Q803	0.67	0	0
Q301	0.1	22.8	0	Q901	8.8	11.9	8.2
Q401	0.3	14.9	0	Q902	5.1	-0.05	1.6
Q402	-0.2	106.0	0	Q903	0	1.1	0
Q403	5.5	7.7	4.9	Q904	-2.5	296.7	0
Q501	9.0	107	8.5	Q905	0.6	0	0
Q502	9.0	108.7	8.5	Q906	109.4	110	110
Q503	9.0	105.3	8.5	Q907	110	110	109.3
Q504	2.6	8.5	2.1	Q108	3.1	5.1	2.4
Q505	2.6	8.5	2.1	Q109	5.1	8.9	4.5
Q506	2.7	8.5	2.3	Q110	5.9	9.0	5.2

NOTE: VOLTAGE ARE TAKEN UNDER TUNED CONDITION WITH

CONTRAST : Maximum Position
 BRIGHNESS : Maximum Position
 COLOR : Maximum Position
 SIGNAL INPUT : 70dB ± 10dB
 CHANNEL SETTING : The Last Channel of UHF High
 SIGNAL PATTERN : Colour Bar

FOR 20" ~ 21"

VOLTAGE TABLE FOR TRANSISTOR (ONLY FOR REFERENCE)							
SYMBOL	B (V)	C (V)	E (V)	SYMBOL	B (V)	C (V)	E (V)
Q101	1.3	9.0	0.6	Q603	0.6	0	0
Q102	3.6	8.9	2.9	Q604	0	5.1	0
Q103	4.3	8.9	3.7	Q605	0	4.9	0
Q104	2.8	0	3.5	Q606	-0.8	4	0
Q105	6.3	8.9	5.5	Q901	8.8	11.9	8.2
Q106	1.4	0	2.1	Q902	5.1	-0.05	1.6
Q108	3.1	5.1	2.4	Q903	0	1.1	0
Q109	5.1	8.9	4.5	Q904	-2.5	296.7	0
Q110	5.9	9.0	5.2	Q905	0.6	0	0
Q201	17.5	1.1	17.2	Q906	109.4	110	110
Q202	0.6	0	0	Q907	110	110	109.3
Q203	16	15.3	15.3	Q001	0	8.9	GND
Q301	0.1	22.8	0				
Q401	0.3	14.9	0				
Q402	-0.2	106.1	0				
Q403	5.5	7.7	4.9				
Q501	9.0	107	8.5				
Q502	9.0	108.7	8.5				
Q503	9.0	105.7	8.5				
Q504	2.6	8.5	2.1				
Q505	2.6	8.5	2.1				
Q506	2.7	8.5	2.3				
Q507	0	9.0	0.1				
Q508	0.5	0	1.2				
Q601	5.0	5.1	4.5				
Q801	3.0	2.3	2.3				
Q803	0.67	0	0				

NOTE: VOLTAGE ARE TAKEN UNDER TUNED CONDITION WITH

- CONTRAST : Maximum Position
- BRIGHNESS : Maximum Position
- COLOR : Maximum Position
- SIGNAL INPUT : 70dB ± 10dB
- CHANNEL SETTING : The Last Channel of UHF High
- SIGNAL PATTERN : Colour Bar

VOLTAGE TABLE FOR IC (ONLY FOR REFERENCES) (FOR 1P.TEXT)						
PIN NO.	SYMBOL	IC101	IC601	IC801	IC802	IC302
1		5	GND	5	0	2.6
2		3.6	4.7	2	0	NC
3		8.9	5	3.6	0	2.5
4		2.5	0	0	0	2.5
5		0	0	GND	5	2.5
6		0.4	0	5	4	2.5
7		0	5	2.2	0	4.6
8		4.5	5	2.4	1.6	NC
9		4.2	5	2.5	0	4.9
10		2.3	0	5	0	NC
11		2.5	5	GND	1.1	0
12		0	5	NC	GND	2.9
13		0	2.6	5	5	3.3
14		2.6	NC	GND	NC	2.5
15		2.4	5	0.2	3.2	2.6
16		2.6	5	0.2	2.9	NC
17		9	NC	0.2	NC	0.7
18		2.9	NC	2.6	0	4.9
19		2.7	NC	1.6	0	2.7
20		2.8	NC	GND		NC
21		5.3	GND	NC		1.4
22		4	0	2.5		
23		4.8	0	NC		
24		1	0	2.9		
25		1.8	0	3.2		
26		5	4	NC		
27		5	4.9	NC		
28		9	5	NC		
29		5.2	5	NC		
30		1.6	GND	NC		
31		4.8	2.2	NC		
32		1.9	2.2	NC		
33		GND	0.2	NC		
34		1.2	0.2	NC		
35		2.9	5	NC		
36		5.2	4.8	NC		
37		2.5	5	NC		
38		2.5	3.2	NC		
39		2.9	0.3	NC		
40		7	0	NC		
41		1.6	0			
42		GND	5			
43		3.2				
44		2.3				
45		2.9				
46		4.9				
47		3.7				
48		4				
49		GND				
50		8				
51		8				
52		8.8				
53		4.6				
54		5.8				
55		8.8				
56		5.5				

NOTE : VOLTAGE ARE TAKEN UNDER TUNED CONDITION WITH
SHARP : Maximum Position
CONTRAST : Maximum Position
BRIGHNESS : Maximum Position
COLOR : Maximum Position
SIGNAL INPUT : 70dB \pm 10dB
CHANNEL SETTING : The Last Channel of UHF High
SIGNAL PATTERN : Colour Bar

VOLTAGE TABLE FOR IC (ONLY FOR REFERENCES)
(FOR 1P.TEXT)

PIN NO. \ SYMBOL	IC401	IC402	IC201	IC901	IC301
1	GND	12.2	2	11.2	8.8
2	12.7	GND	2.1	GND	0
3	24.4	9	GND	5	0
4	0.9		5.2		0
5	0.9		GND		GND
6	24.3		7.5		10.4
7	1.2		15.3		0
8					0
9					9
10					
11					
12					
13					
14					
15					
16					
17					
18					
19					
20					
21					
22					
23					
24					
25					
26					
27					
28					
29					
30					
31					
32					
33					
34					
35					
36					
37					
38					
39					
40					
41					
42					
43					
44					
45					
46					
47					
48					
49					
50					
51					
52					
53					
54					
55					
56					

NOTE : VOLTAGE ARE TAKEN UNDER TUNED CONDITION WITH

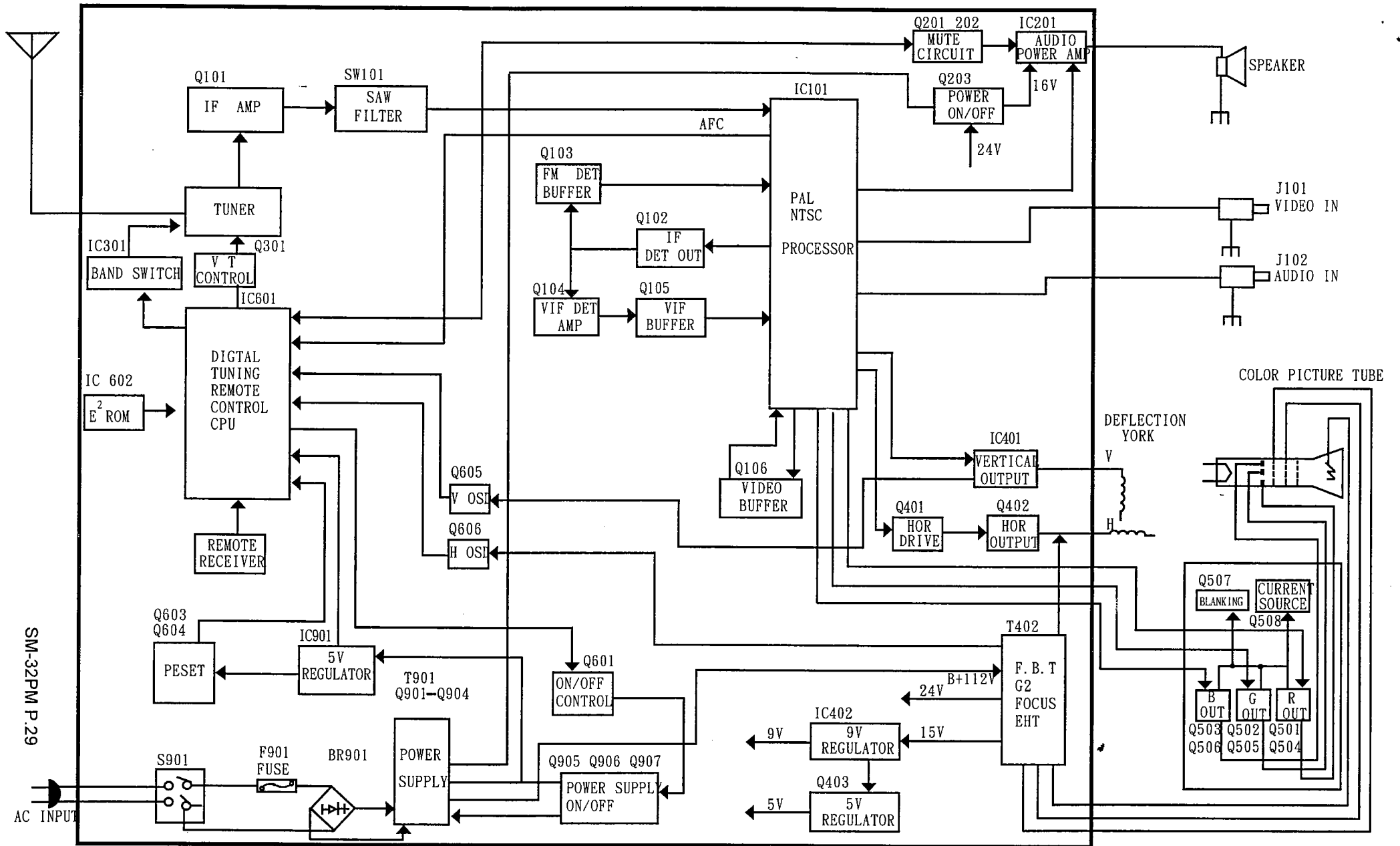
- CONTRAST : Maximum Position
- BRIGHTNESS : Maximum Position
- COLOR : Maximum Position
- SIGNAL INPUT : 70dB ±10dB
- CHANNEL SETTING : The Last Channel of UHF High
- SIGNAL PATTERN : Colour Bar

VOLTAGE TABLE FOR IC (ONLY FOR REFERENCES)
(FOR 1P.TEXT)

PIN NO.	SYMBOL	IC001	IC602			
1		GND	GND			
2		GND	GND			
3		2.4	GND			
4		4.4	GND			
5		0	5			
6		GND	5			
7		GND	0			
8		GND	5			
9		0				
10		0				
11		0				
12		4.4				
13		1.7				
14		4.4				
15		NC				
16		9				
17						
18						
19						
20						
21						
22						
23						
24						
25						
26						
27						
28						
29						
30						
31						
32						
33						
34						
35						
36						
37						
38						
39						
40						
41						
42						
43						
44						
45						
46						
47						
48						
49						
50						
51						
52						
53						
54						
55						
56						

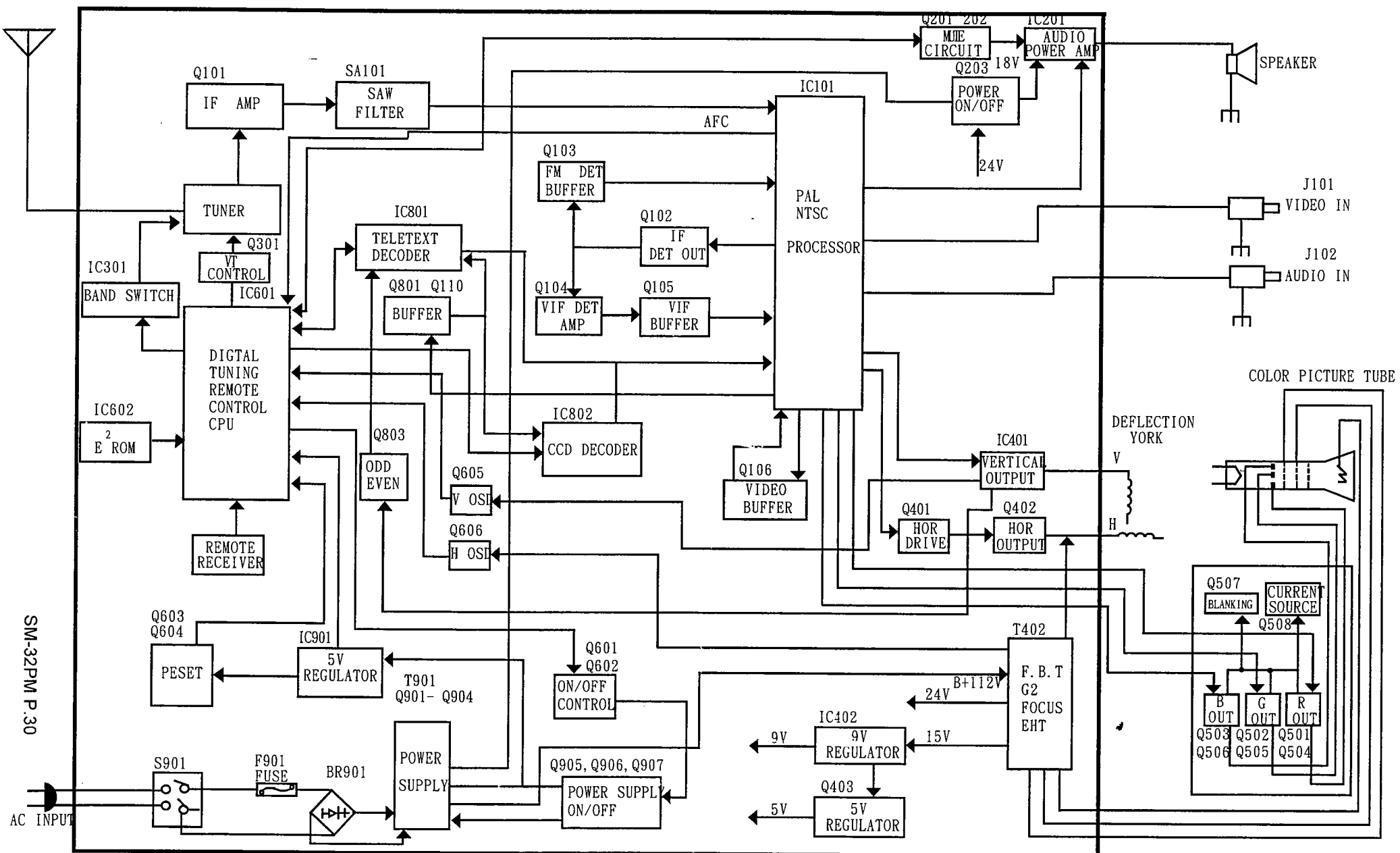
NOTE : VOLTAGE ARE TAKEN UNDER TUNED CONDITION WITH

CONTRAST : Maximum Position
 BRIGHNESS : Maximum Position
 COLOR : Maximum Position
 SIGNAL INPUT : 70dB ±10dB
 CHANNEL SETTING : The Last Channel of UHF High
 SIGNAL PATTERN : Colour Bar



BLOCK DIAGRAM FOR '14' MODEL

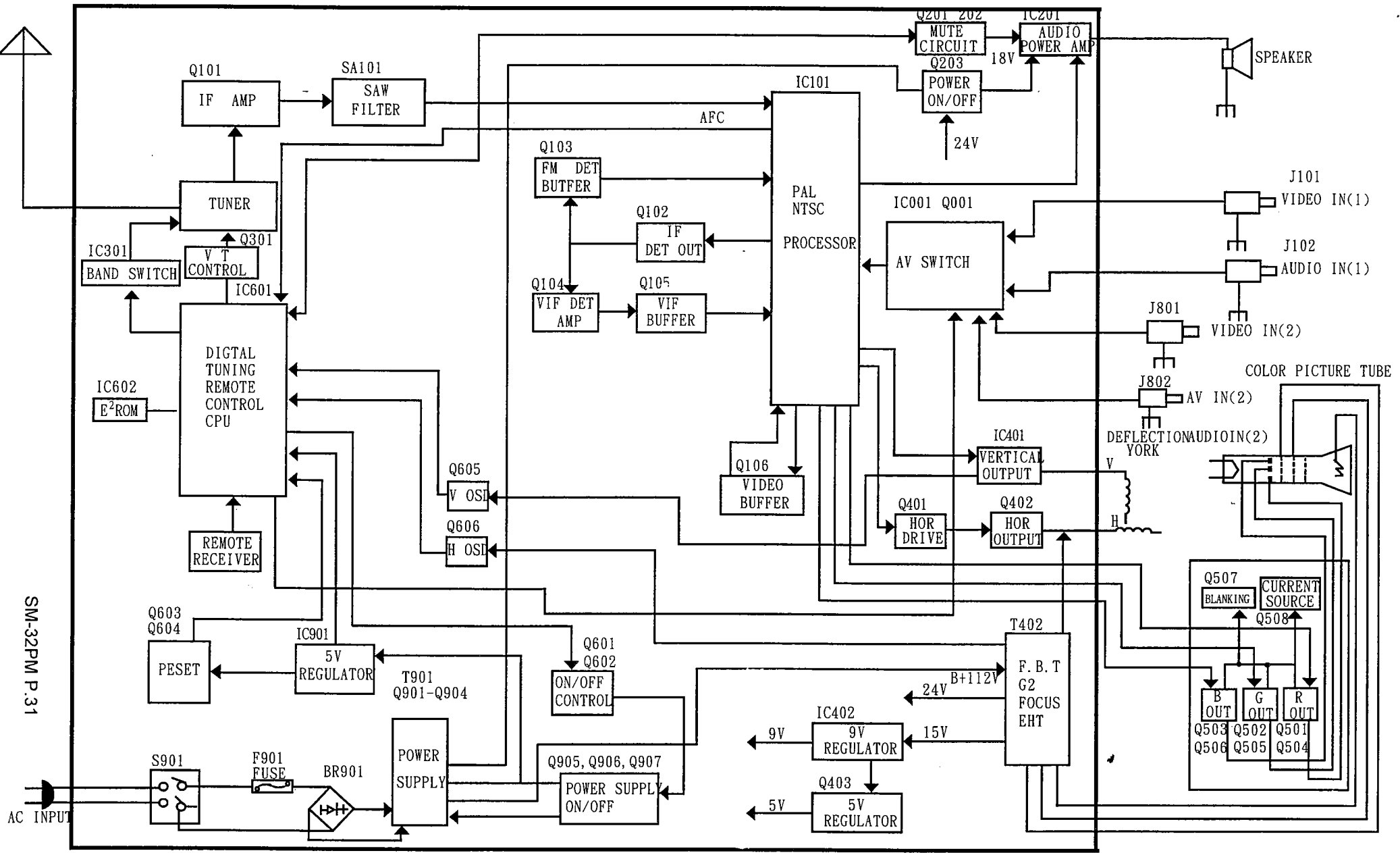
SM-32PM P.29



BLOCK DIAGRAM

FOR (44) MODEL WITH TELETEXT & CD

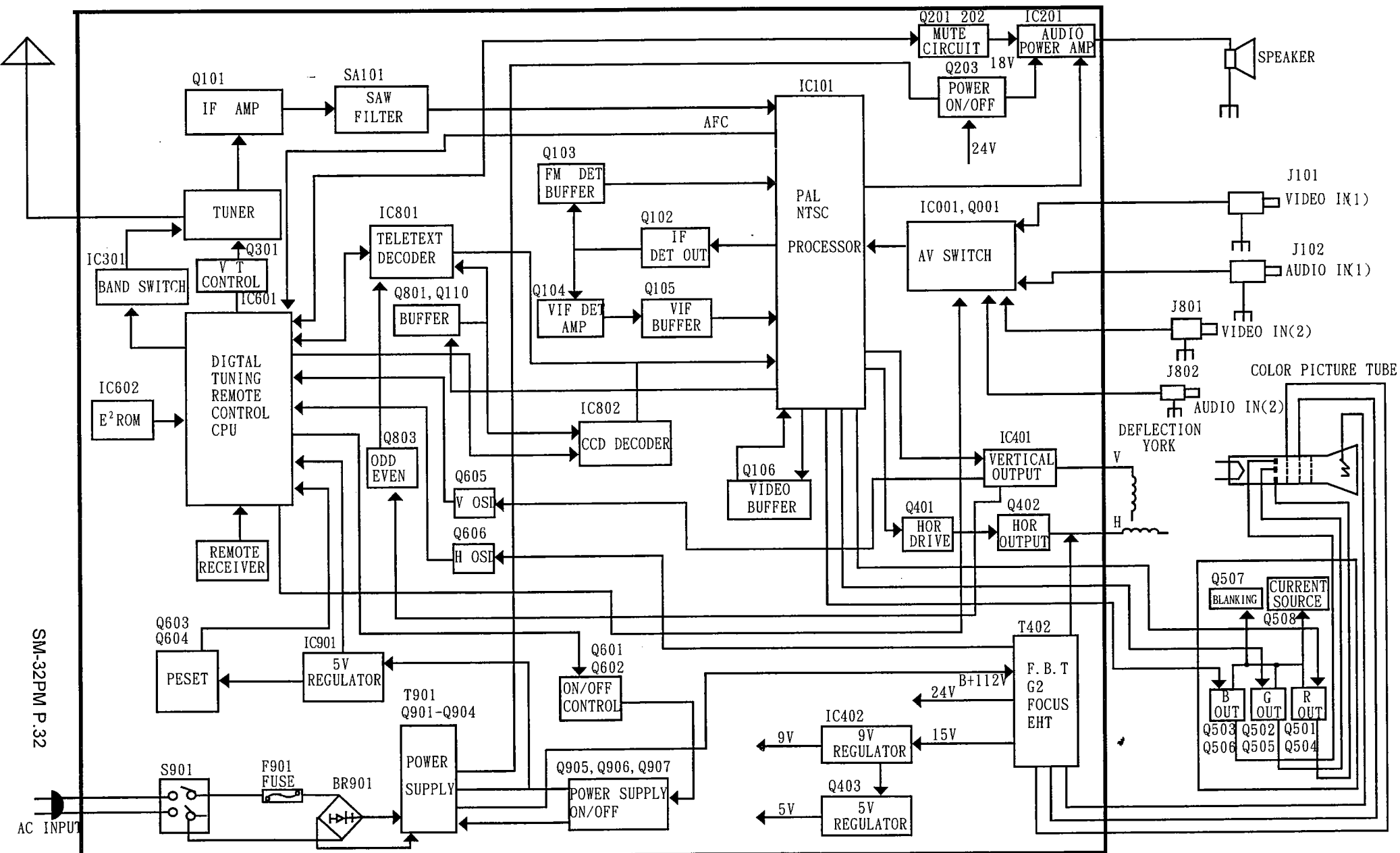
SM-32PM P.30



BLOCK DIAGRAM

FOR 20", 21" MODEL

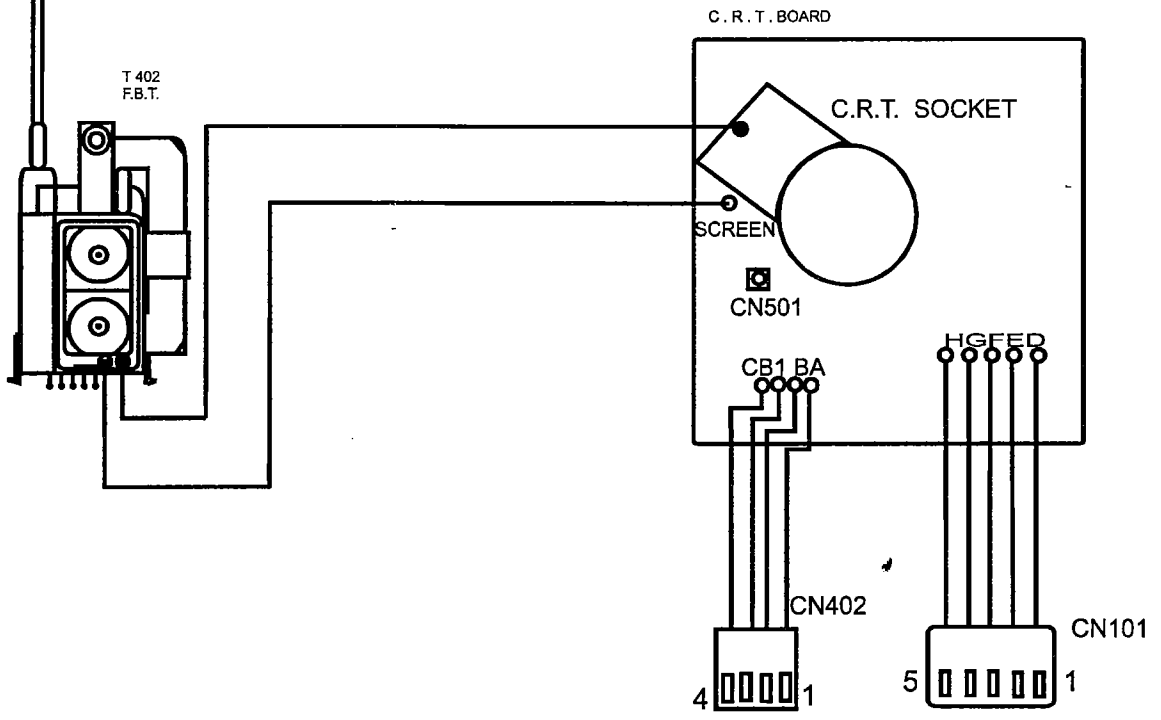
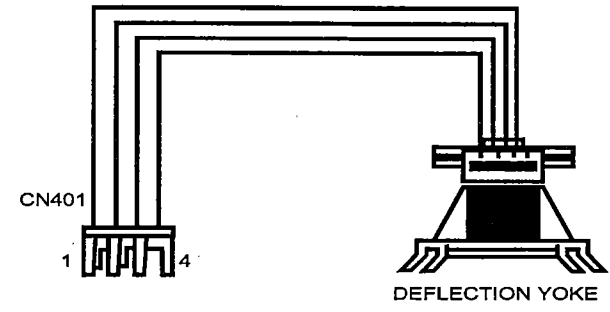
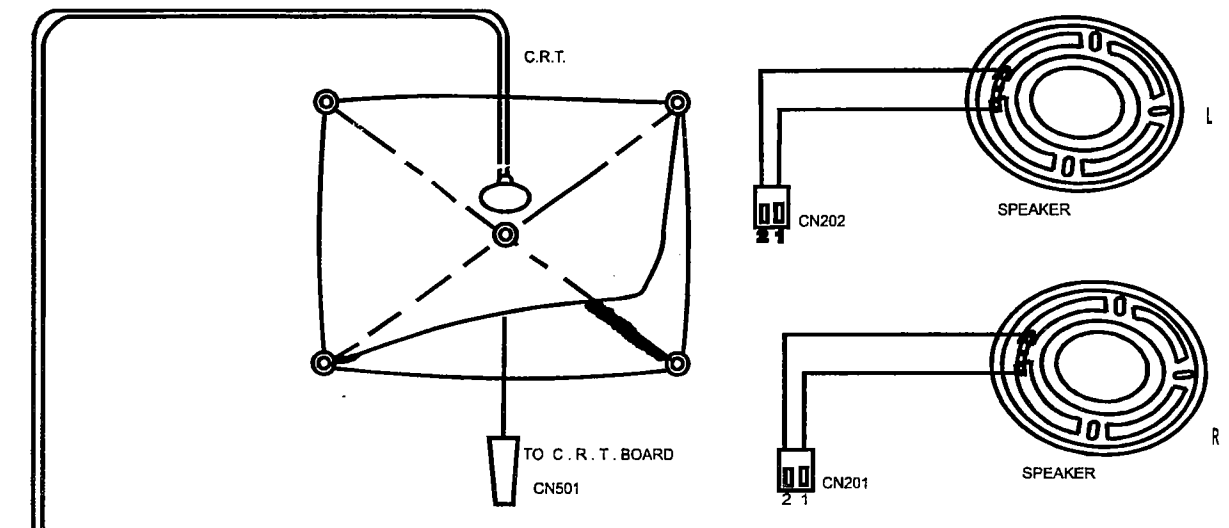
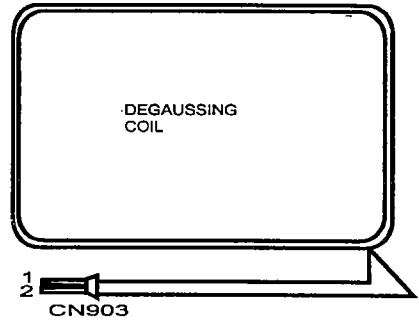
SM-32PM P.31



SM-32PM P.32

BLOCK DIAGRAM

WIRING DIAGRAM



PART NUMBER DESCRIPTION QTY LOCATION

155R63311T109	REMOTE CONTROL ASSY	1	
1078004554G	RESONATOR 455 KHZ ET455ZPO TUNG	1	CF701
11322910517	CARBON FILM RESISTOR 2.2 OHM1/4W +-5%	1	R701
11356200517	CARBON FILM RESISTOR 5.6K OHM1/16W +-5%	1	R703
11368200517	CARBON FILM RESISTOR 6.8K OHM1/16W +-5%	1	R702
12310135060	CERAMIC CAP. 100 PF 50V +-10%(SL TYPE) "SMART GOOD"	2	C701,702
12710604206	ELECT CAP. 10 MFD 16V +-20%{TAPING TYPE}	1	C703
13013414801	SILICON DIODE IN4148	7	D701-707
1306001010G	INFRARED EMITTER EL-1L1 KODENSHI "GUANG ZHOU XIONGGUANG"	1	LED701
13123200100	TRANSISTOR 2SC2001L NEC	1	Q701
13311902814	I.C. TC9028AF-023 TOSHIBA	1	IC701
17272600099	BARE WIRE 54MM	0	W701
190R6331402	REMOTE P.C.B.(080799)	1	
51626040810	SELF-TAPPING SCREW 2.6 X 8 P/T(HARDEN)	2	FOR HANDSET
774R6330100	BATTERY SPRING (+VE)	1	
774R6330200	BATTERY SPRING (-VE)	1	
774R6330300	BATTERY SPRING (+-VE)	1	
81004110413	POLYBAG 4" X 11" X 0.04MMW/RE-CYCLING	1	FOR HANDSET
849R6330100	KEY PAD {FULL 40 KEYS}	1	
892R6334101	DIAL KEY PLATE - W/CCD/TXT/SYS(2 KEY FOR F/H MODE) 15 KEY	1	
900R633020B	HANDSET TOP CABINET - SILVER1008K SPRAY "TOSHIBA IyC"	1	
902R6330223	HANDSET BOTTOM CABINET -SILVER 1008K	1	
910R633016C	HANDSET BATT.DOOR-TEAC DESIGN(CT- M5150H)RC-747(SILVER 1008K)	1	
973R6330101	VOLUME/CHANNEL KNOB - SILVER1008K SPRAY	1	
51440031210	SELF-TAPPING SCREW 4 X 12 B/A(HARDEN)	1	FOR FBT MTG
51440042510	SELF-TAPPING SCREW 4 X 25 B/T(HARDEN)	2	FOR CAB. MTG
51530340610	SELF-TAPPING SCREW 3 X 6W/B/T (HARDEN)	2	FOR FUNCTION PCB
51530340810	SELF-TAPPING SCREW 3 X 8W/B/T (HARDEN)	8	FOR SPEAKER MTG
51530341010	SELF-TAPPING SCREW 3 X 10W/B/T (HARDEN)	5	2-FOR LED P.C.B,3- FOR FUNCTION PCB
51650043510	SEIF-TAPPING SCREW 5X35 P/T(HARDEN) HEAD DIA. 9.5MM MAX	4	FOR CAB MTG
52493250200	CRT MTG.SCREW 7 X 35 VP(HARDEN)	4	FOR CRT MTG
622733B0100	PAD CORD L240 X W10 X TO.5MMW/TAPE	3	FOR FRONT CAB
62288280200	FELT L240 X W17 X T0.5MMW/TAPE	5	5-FOR REAR CAB
63023801000	FIBRE WASHER OD=23 , ID=8T=1MM	16	FOR CRT MTG
74488130100	SPRING FOR C.R.T. MOUNTING 5.2X 42 X 0.6MM	1	
777733A0100	SPRING ID=10.0MM L=22.0MM	1	FOR POWER KNOB
81005220414	POLYBAG 5" X 22" X 0.04MMW/RE-CYCLING MARK {P/O MAT}	1	FOR AC LINE CORD
83423080200	RUBBER WASHER OD=23, ID=8, T=2	4	FOR CRT MTG.
84005102011	RUBBER PAD (UL 94VO)	3	1-FBT.,1- TRANSORMER,1-
92928291100	LED BRACKET	1	
93989200100	POWER KNOB ADAPTER	1	
94888200800	DOOR LOCKER PR-4B "HUIZHOU LONGCHENG"	1	
95488210000	AC LINE CORD CLIP	1	
95488280400	HIGH VOLTAGE CABLE SPACER	2	FOR CRT
00212101340	21" CRT A51JSY63X13(CR) S/H"SHENZHEN	1	

PART NUMBER DESCRIPTION QTY LOCATION

00313130201	TUNER 38.9MHZ(BG) WSP{9V} #ENV59D04F2E "MATSUSHITA" L.JACK	1	TUNER
10237200702	TANK COIL 45 MHZ KHIC-842607COILS	1	T101
10510910316	FIXED INDUCTIVE COIL 1UH 10%AL0305-1R0K "BOLUO DUIWANG"	1	L201
10710550066	SOUND TRAP CERAMIC FILTER5.5MHZ WEI	1	CF102
10730550016	SOUND BYPASS CERAMIC FILTER5.5MHZ WEI	1	CF101
1077389550C	SAW FILTER OFWK2955M SIEMENS	1	SA101
11315110517	CARBON FILM RESISTOR 150 OHM1/4W +-5%	1	R209
12310337090	CERAMIC CAP. 0.01 MFD 50V +80-20%	1	C212
12322246650	CERAMIC CAP. 0.0022 MFD 400VAC+-20% ECKDNA222ME "MATSUSHITA"	2	C912,925
16010325527	PIN CONNECTOR 3 PINS PLUG	1	CN203
16112140200	MINI JACK #HSJ0914-01-040(HOSIDEN)	1	J201A
16138180223	I.C. SOCKET 18 PINS"TRI-MARK"	1	FOR IC802
16138280300	I.C SOCKET 28 PINS DIP TYPE	1	IC801
16138420201	IC SOCKET 42 PINS NS-ICS"LEQING CONIC"	1	FOR IC601
16644502340	SPEAKER 2" X 3 1/2" 4 OHM 5W	2	
171550084K0	7' AC LINE CORD KE-12 SAA PLUG2 PIN L-DUTY "KENIC"	1	
17272600099	BARE WIRE 54MM	0	R102
17765512302	FLAT CABLE 2 PIN L=120MM AWG26UL2468	1	MAIN PCB `A' TO `A', `B'
17940308000	SHRINKABLE TUBE	0	40MM FOR
18662450011	HI-WATT SUPER HEAVY DUTY 1.5V0% MERCURY 3A ER03X ALUM.CASE	2	
19130102810	3 PIN SOCKET ASS'Y L=380MM	1	SIDE PCB CN203A `1' TO CN203
51730611010	SELF TAPPING SCREW 3 X 10 W/TW/H =10MM	2	FOR SIDE JACK PCB
61039214232	GIFT BOX - TEAC DESIGN(CT-M5150H) (H3H3H)	1	
66323015601	SERIAL NO.LABEL - TEAC DESIGN	4	(FOR OC:GT-0318/01
66323031801	SERIAL NO.LABEL - TEAC DESIGN	0	
6632303181A	SERIAL NO.LABEL - TEAC DESIGN	4	(FOR 2ND LOT)
6692021C109	RATING LABEL - TEAC DESIGN(CT-M5150H)	1	
67020210024	I/MANUAL - TEAC DESIGN(CT-M5150H)"TOSHIBA IYC" 100P.	1	
67820210102	SCREEN STICKER - TEAC DESIGN(CT-M51050H)	1	
67820210401	GUARANTEE STICKER - TEACDESIGN (3 YEARS)	1	STUCK ON RIGHT TOP HAND CORNER OF
678868A0131	TOTAL CARE LABEL - TEAC (E)DESIGN (MC-D48)	1	
69093133902	WARRANTY CARD- TEAC (D) DESIGN	1	
69320210103	EAN CODE LABEL - 9325073003316(TEAC DESIGN)	2	STUCK ON L & R SIDES OF EACH CTN
71093290101	NAME PLATE - TEAC (B) DESIGN(BIG SIZE) (ELECTROFORMED)	1	
74928290200	HEAD PHONE FIXED PLATE (NICKELPLATE	1	
8002021C500	POLYFOAM TOP (C) - LEFT	1	
8002021C600	POLYFOAM TOP (C) - RIGHT	1	
8002021C700	POLYFOAM BOTTOM (C) - LEFT	1	
8002021C800	POLYFOAM BOTTOM (C) - RIGHT	1	
81009150413	POLYBAG 9" X 15" X 0.04MM W/RE-CYCLING P.E.MARK	1	FOR I/MANUAL
8104040041B	POLYBAG 40"X40"X0.04MM PE MAT.TEAC DESIGN (CT-M4895)	1	FOR UNIT
82630160500	FOAM SHEET 30" X 16" X 0.5MMTHK.	1	FOR TOP UNIT
84005253000	RUBBER PAD (ONE SIDE W/TAPE)	4	4 FOR CRT TO FRONT
84008292911	RUBBER PAD (ONE SIDE W/TAPE)	2	FOR MAIN PCB

PART NUMBER DESCRIPTION QTY LOCATION

88420212401	PRESET PLATE - ENG STD W/WHITES.S.	1	
88438252503	SIDE JACK COVER - ENG STD SS.1008K SILVER PVC W/H-PHONE	1	
88488202504	JACK COVER-ENG STD W/VIDEO IN/AUDIO IN (TOSHIBA IYC)LOW JACK	1	
90020214105	FRONT CAB.(C) - SILVER 1008KSPRAY W/433C GREY SS.	1	
902392101U0	REAR CABINET - MATT BLACKW/O LOGO (UL	1	
9192021C107	PRESET DOOR (C) - TEAC DESIGN(CT-M5150H)	1	
96928290200	LIGH GUIDING POST(TRANSPARENT)	1	
98038250207	SIDE JACK PLATE - 1008K SILVERSPRAY	1	
9912021C107	POWER KNOB - SILVER 1008KSPRAY	1	
00122050110	FLYBACK TRANSFORMERJF0501-0502A "SHEKOU JEWEL"	1	T402
00855021105	DEGAUSSING COIL 60T(FIVE LAYERS OF TAPE) ART-TECH	1	
0121023400B	SEMI-FIXED RES. WI06-2AL-1K"SHENZHEN YUNGJIANG"	1	VR901
10119100996	HORIZONTAL DRIVE TRANSFORMER(R1009)	1	T401
10128882095	LINE FILTER 70MH LB28T115	1	L901
10141021494	SWITCHING POWER TRANSFORMERKB40C214D (HIGHLIGHT)	1	T901
10510910316	FIXED INDUCTIVE COIL 1UH 10%AL0305-1R0K "BOLUO DUIWANG"	1	L101
10520110602	CHOKER COIL 200UH 10% CH9012-201K (ELEC PRODUCT)	1	L902
10527010308	FIXED INDUCTIVE COIL 27UH	1	L601
10547910316	FIXED INDUCTIVE COIL 4.7UH 10%AL0305-4R7K "BOLUO DUIWANG"	1	L301
10556010316	FIXED INDUCTIVE COIL 56UH+-10% AL0305 "BOLUO DUIWANG"	1	L102
10556910308	FIXED INDUCTIVE COIL 5.6UH+-10% 0410-5R6K AXIAL "WITTIS"	1	L103
10565015229	LINEARITY COIL 65UH TW52-03"WEI HAW"	1	L401
10582910308	FIXED CONDUCTOR COIL 8.2 UH+-10% 0410-8R2K AXIAL "WITTIS"	1	L104
11310010517	CARBON FILM RESISTOR 10 OHM1/4W +-5%	2	R602,001
11310010542	FUSING RESISTOR 10 OHM 1/4W+-5%	1	R428
11310100517	CARBON FILM RESISTOR 100 OHM1/16W +-5%	1	R117
11310200517	CARBON FILM RESISTOR 1K OHM1/16W +-5%	28	R808,320,806,013,008,8
11310210517	CARBON FILM RESISTOR 1K OHM1/4W +-5%	2	R311,156
11310300517	CARBON FILM RESISTOR 10K OHM1/16W +-5%	24	R012,015,021,005,006,0
11310310167	METAL FILM RESISTOR 10K OHM1/4W +-1%	3	R803,306,305
11310310517	CARBON FILM RESISTOR 10K OHM1/4W +-5%	2	R908,928
11310320512	CARBON FILM RESISTOR 10K OHM1/2 +-5%	2	R419,434
11310400517	CARBON FILM RESISTOR 100K OHM1/16W +-5%	3	R004,007,211
11310420512	CARBON FILM RESISTOR 100K OHM1/2W +-5%	2	R431,921
11310430575	METAL OXIDE FILM RESISTOR 100KOHM 1W +-5%	1	R931
11311310517	CARBON FILM RESISTOR 11K OHM1/4W +-5%	2	R621,624
11312030575	METAL OXIDE FILM RESISTOR 12OHM 1W +-5%	1	R912
11312040575	METAL OXIDE FILM RESISTOR 12OHM 2W +-5%	1	R919
11312100517	CARBON FILM RESISTOR 120 OHM1/16W +-5%	1	R104
11312200517	CARBON FILM RESISTOR 1.2K OHM1/16W +-5%	3	R656,657,658
11312220512	CARBON FILM RESISTOR 1K2 OHM1/2W +-5%	3	R517,518,519
11312300517	CARBON FILM RESISTOR 12K OHM1/16W +-5%	2	R143,820
11312400517	CARBON FILM RESISTOR 120K OHM1/16W +-5%	2	R112,413

PART NUMBER DESCRIPTION QTY LOCATION

11312420512	CARBON FILM RESISTOR 120K OHM1/2W +-5%	1	R418
11312930575	METAL OXIDE FILM 1.2 OHM 1W+-5%	1	R407
11312940542	FUSING RESISTOR 1.2 OHM 2W+-5%	1	R501
11315000517	CARBON FILM RESISTOR 15 OHM1/16W +-5%	1	R521
11315100517	CARBON FILM RESISTOR 150 OHM1/16W +-5%	1	R412
11315140575	METAL OXIDE FILM RESISTOR 150OHM 2W +-5%	1	R160
11315200517	CARBON FILM RESISTOR 1.5K OHM1/16W +-5%	3	R127,129,613
11315210517	CARBON FILM RESISTOR 1.5K OHM1/4W +-5%	1	R205
11315300517	CARBON FILM RESISTOR 15K OHM1/16W +-5%	2	R630,824
11315340575	METAL OXIDE FILM RESISTOR 15KOHM 2W +-	3	R502,503,504
11318110517	CARBON FILM RESISTOR 180 OHM1/4W +-5%	1	R148
11318200517	CARBON FILM RESISTOR 1.8K OHM1/16W +-5%	1	R801
11318210517	CARBON FILM RESISTOR 1.8K OHM1/4W +-5%	1	R906
11320260575	METAL OXIDE FILM RESISTOR 2KOHM 5W +-5%	1	R417
11320400517	CARBON FILM RESISTOR 200K OHM1/16W +-5%	1	R403
11322100517	CARBON FILM RESISTOR 220 OHM1/16W +-5%	4	R114,119,429,180
11322200517	CARBON FILM RESISTOR 2.2K OHM1/16W +-5%	4	R133,645,144,925
11322300517	CARBON FILM RESISTOR 22K OHM1/16W +-5%	3	R622A,625A,817
11322310517	CARBON FILM RESISTOR 22K OHM1/4W +-5%	2	R424,208
11322400517	CARBON FILM RESISTOR 220K OHM1/16W +-5%	1	R304
11322910517	CARBON FILM RESISTOR 2.2 OHM1/4W +-5%	2	R202,138
11322910542	FUSING RESISTOR 2.2 OHM 1/4W+-5%	1	R163
11322920512	CARBON FILM RESISTOR 2.2 OHM1/2W +-5%	1	R116
11322940575	METAL OXIDE FILM RESISTOR 2.2OHM 2W +-5%	1	R903
11322960551	WIRE WOUND CEMENT RESISTOR2.2 OHM 5W +	1	R902
11327040575	METAL OXIDE FILM RESISTOR 27OHM 2W +-5%	1	R913
11327100517	CARBON FILM RESISTOR 270 OHM1/16 W +-5%	5	R121,164,165,166,181
11327110517	CARBON FILM RESISTOR 270 OHM1/4W +-5%	3	R155,603,604
11327200517	CARBON FILM RESISTOR 2.7K OHM1/16W +-5%	2	R147,655
11327210517	CARBON FILM RESISTOR 2.7K OHM1/4W +-5%	2	R523,814
11327220512	CARBON FILM RESISTOR 2.7K OHM1/2W +-5%	3	R416,409,920
11327300517	CARBON FILM RESISTOR 27K OHM1/16W +-5%	1	R174
11330300517	CARBON FILM RESISTOR 30K OHM1/16W +-5%	1	R110
11333000517	CARBON FILM RESISTOR 33 OHM1/16W +-5%	1	R106
11333100517	CARBON FILM RESISTOR 330 OHM1/16W +-5%	2	R118,126
11333110517	CARBON FILM RESISTOR 330 OHM1/4W +-5%	1	R909
11333210517	CARBON FILM RESISTOR 3.3K OHM1/4W +-5%	1	R905
11333300517	CARBON FILM RESISTOR 33K OHM1/16W +-5%	6	R618,619,642,312,313,8
11333430575	METAL OXIDE FILM RESISTOR 330KOHM 1W +-	1	R914
11333500517	CARBON FILM RESISTOR 3.3M OHM1/16W +-5%	1	R325
11333840575	METAL OXIDE FILM RESISTOR 0.33OHM 2W +-	1	R916
11339040575	METAL OXIDE FILM RESISTOR 39OHM 2W +-5%	1	R930
11339060575	METAL OXIDE FILM RESISTOR 39OHM 5W +-5%	1	R917
11339200517	CARBON FILM RESISTOR 3.9K OHM1/16W +-5%	3	R809,810,811
11339300517	CARBON FILM RESISTOR 39K OHM1/16W +-5%	1	R207
11347000517	CARBON FILM RESISTOR 47 OHM1/16W +-5%	1	R609
11347100517	CARBON FILM RESISTOR 470 OHM1/16W +-5%	3	R105,125,812
11347120512	CARBON FILM RESISTOR 470 OHM1/2W +-5%	1	R408
11347200517	CARBON FILM RESISTOR 4.7K OHM1/16W +-5%	1	R302
11347210517	CARBON FILM RESISTOR 4.7K OHM1/4W +-5%	4	R520,911,631,632
11347300517	CARBON FILM RESISTOR 47K OHM1/16W +-5%	4	R134,022,014,807
11347310517	CARBON FILM RESISTOR 47K OHM1/4W +-5%	1	R204
11347910517	CARBON FILM RESISTOR 4.7 OHM1/4W +-5%	1	R120
11351950575	METAL OXIDE FILM RESISTOR 5.1OHM 3W +-5%	1	R427
11356010517	CARBON FILM RESISTOR 56 OHM1/4W +-5%	1	R526
11356100517	CARBON FILM RESISTOR 560 OHM1/16W +-5%	1	R411

PART NUMBER DESCRIPTION QTY LOCATION

11356110517	CARBON FILM RESISTOR 560 OHM1/4W +-5%	3	R505,506,507
11356200517	CARBON FILM RESISTOR 5.6K OHM1/16W +-5%	1	R210
11356300517	CARBON FILM RESISTOR 56K OHM1/16W +-5%	3	R108,404,410
11356521099	CARBON COMPOSITION RES. 5.6MOHM 1/2W +-10% INNER MONGOLIA	4	R923,924,2 FOR SPK. TO GRILLE
11356940575	METAL OXIDE FILM RESISTOR 5.6OHM 2W +-5%	1	R201
11368000517	CARBON FILM RESISTOR 68 OHM1/16W +-5%	1	R178
11368100517	CARBON FILM RESISTOR 680 OHM1/16W +-5%	1	R103
11368110517	CARBON FILM RESISTOR 680 OHM1/4W +-5%	2	R524,522
11368120512	CARBON FILM RESISTOR 680 OHM1/2W +-5%	1	R436
11368130575	METAL OXIDE FILM RESISTOR 680OHM 1W +-5%	1	R423
11368200517	CARBON FILM RESISTOR 6.8K OHM1/16W +-5%	2	R805,323
11368210217	CARBON FILM RESISTOR 6.8K OHM1/4W +-2%	1	R904
11368210517	CARBON FILM RESISTOR 6.8K OHM1/4W +-5%	3	R910,608,612
11368300517	CARBON FILM RESISTOR 68K OHM1/16W +-5%	5	R405,406,623A,626A,17
11368820542	FUSING RESISTOR 0.68 OHM 1/2W+-5%	2	R421,918
11368830542	FUSING RESISTOR 0.68 OHM 1W+-5%	2	R422,929
11382000517	CARBON FILM RESISTOR 82 OHM1/16W +-5%	4	R101,435,010,009
11382110517	CARBON FILM RESISTOR 820 OHM1/4W +-5%	7	R508,509,510,511,512,5
11382200517	CARBON FILM RESISTOR 8.2K OHM1/16W +-5%	1	R822
11382210517	CARBON FILM RESISTOR 8.2K OHM1/4W +-5%	1	R907
11382240575	METAL OXIDE FILM RESISTOR 8.2KOHM 2W +-5%	1	R161
11382400517	CARBON FILM RESISTOR 820K OHM1/16W +-5%	1	R115
11391210517	CARBON FILM RESISTOR 9.1K OHM1/4W +-5%	1	R321
11421020001	THERMISTOR (NICHICON ZPB53 BL200C)	1	TH901
12310034093	CERAMIC CAP. 10 PF 50V +-5%(NPO)	1	C604
12310135060	CERAMIC CAP. 100 PF 50V +-10%(SL TYPE) "SMART GOOD"	7	C444,616,121,620,621,301,440
12310235090	CERAMIC CAP. 0.001 MFD 50V+-10% (B TYPE)	2	C138,005
12310337090	CERAMIC CAP. 0.01 MFD 50V +80-20%	13	C117,320
12310427090	CERAMIC CAP. 0.1 MFD 25V +80-20%	19	C163,611,807,810,112,8
12312034093	CERAMIC CAP. 12PF 50V +-5%(NPO)	1	C124
12312255095	CERAMIC CAP. 1200PF 500V +-10%"YINAN	1	C416
12315285010	CERAMIC CAP. 0.0015 MFD 2KV+-10%	1	C420
12322155190	CERAMIC CAP. 220 PF 500V+-10% MATSUSHITA	1	C913
12322285010	CERAMIC CAP. 0.0022 MFD 2KV+-10%	2	C911,421
12333034093	CERAMIC CAP. 33 PF 50V +-5%(NPO)	2	C602,603
12339135560	CERAMIC CAP. 390PF 50V +-10%(SL TYPE) "CHENGDU WANGMING"	4	C406,504,505,506
12347034060	CERAMIC CAP. 47 PF 50V +-5%(SL TYPE)	2	C142,143
12347255290	CERAMIC CAP. 0.0047 MFD 500V+-10% (B TYPE) SMALL SIZE	3	C903,904,905
12347255295	CERAMIC CAP. 0.0047 MFD 500V+-10% (B TYPE) "YINAN DON'S"	4	C425,426,441,915
12350934093	CERAMIC CAP. 5 PF 50V +-5%(NPO)	1	C605
12356034093	CERAMIC CAP. 56 PF 50V +-5%(NPO)	2	C803,806
12382135060	CERAMIC CAP. 820 PF 50V +-10%(SL TYPE)	1	C513
12382185010	CERAMIC CAP. 820 PF 2KV +-10%(SL TYPE) MATSUSHITA	2	C501,916
12422406103	TANTALIUM CAP. 0.22 MFD 35V+-10%	2	C126,130
12610207101	MYLAR CAP. 0.001 MFD 50V +-10%	4	C209,404,617,131
12610307101	MYLAR CAP. 0.01 MFD 50V +-10%	2	C108,208
12610407101	MYLAR CAP. 0.1 MFD 50V +-10%	5	C148,203,326,327,910
12610410135	POLYPROPYLENE CAP. 0.1 MFD100V +-10% "XIAMEN FALA"	1	C423
12615207101	MYLAR CAP. 0.0015 MFD 50V+-10%	2	C120,412

PART NUMBER DESCRIPTION QTY LOCATION

12622207101	MYLAR CAP. 0.0022 MFD 50V+-10%	1	C125
12622407101	MYLAR CAP 0.22 MFD 50V +-10%	4	C407,303,304,302
12633307101	MYLAR CAP. 0.033 MFD 50V +-10%	2	C907,443
12647207101	MYLAR CAP. 0.0047 MFD 50V+-10%	1	C149
12647216045	METALIZED POLY.CAP. 0.0047 MFD1600V +-5% "XIAMEN FALA"	1	C422
12647307101	MYLAR CAP. 0.047 MFD 50V +-10%	1	C413
12647322241	METALIZED POLYPROPYLENE CAP.0.047 MFD 275V +-20% "OKAYA"	1	C902
12647407101	MYLAR CAP. 0.47 MFD 50V +-10%	1	C403
12647420131	POLYPROPYLENE CAP 0.47 MFD200V +-10%	1	C418
12647422245	METALIZED POLY.CAP. 0.47 MFD275VAC +-20% "XIAMEN FALA"	1	C901
12656307101	MYLAR CAP. 0.056 MFD 50V +-10%	1	C408
12668207101	MYLAR CAP. 0.0068 MFD 50V+-10%	1	C809
12668307101	MYLAR CAP. 0.068 MFD 50V +-10%	1	C811
12710507105	ELECT CAP. 1 MFD 50V +-10%(TIME CONSTANT)	1	C401
12710507206	ELECT CAP. 1 MFD 50V +-20%(TAPING TYPE)	3	C123,205,107
12710513207	ELECT CAP. 1 MFD 160V +-20%"NICHICON"	1	C419
12710604206	ELECT CAP. 10 MFD 16V +-20%(TAPING TYPE)	8	C128,204,207,137,601,0
12710604207	ELECT CAP. 10 MFD 16V +-20%"NICHICON"	1	C210
12710607203	ELECT. CAP. 10 MFD 50V +-20%	1	C446
12710610403	ELECT CAP. 10 MFD 100V +-20%105øC	1	C909
12710704203	ELECT. CAP. 100 MFD 16V +-20%	12	C111,437,503,154,115,1 33,158,610,805,001
12710706208	ELECT CAP. 100 MFD 35V +-20%"JAMICON"	1	C405
12710713207	ELECT. CAP. 100 MFD 160V +-20%"NICHICON"	2	C917,918
12710740203	ELECT. CAP. 100 MFD 400V +-20%	1	C906
12722507105	ELECT CAP. 2.2UF 50V +-10%(TIME CONSTANT)	1	C409
12722507206	ELECT CAP. 2.2 MFD 50V +-20%(TAPING TYPE)	3	C306,307,308
12722604206	ELECT CAP. 22 MFD 16V +-20%(TAPING TYPE)	4	C127,206,510,618
12722706208	ELECT CAP. 220 MFD 35V +-20%"JAMICON"	1	C914
12722805203	ELECT. CAP. 2200 MFD 25V +-20%	3	C410,432,202
12733604206	ELECT CAP. 33 MFD 16V +-20%(TAPING TYPE)	3	C165,813,815
12733625203	ELECT CAP. 33 MFD 250V +-20%	1	C424
12747407208	ELECT CAP. 0.47 MFD 50V +-20%"JAMICON"	5	C150,134,512,135,136
12747507206	ELECT CAP. 4.7 MFD 50V +-20%(TAPING TYPE)	2	C110,427
12747604203	ELECT. CAP. 47 MFD 16V +-20%	3	C211,436,608
12747609403	ELECT CAP. 47 MFD 63V +-20%105øC	2	C908,213
12747704206	ELECT CAP. 470 MFD 16V +-20%(TAPING TYPE)	5	C201,435,156,921,145
12747706206	ELECT CAP. 470 MFD 35V +-20%(TAPING TYPE)	1	C411
13013013800	SILICON DIODE 1SS138 ROHM{TAPING}	2	D506,101
13013014600	SILICON DIODE 1SS146 ROHM{TAPING}	3	D501,502,503
13013414801	SILICON DIODE IN4148	20	D801,802,803,804,805,8 06,807,808,302,303
13031001200	RECTIFIER DIODE RU2 SANKEN	1	D405
13031003350	DIODE BYD33D	1	D910
13031009550	DIODE BYW95B "PHILIPS"{TAPING}	1	D911
13031013350	DIODE BYD33J	3	D907,908,909
13031020604	BRIDGE RECIFIER KBP206"HIGHLAND"	1	BR901
13031529500	RECTIFIER DIODE S5295G TOSHIBA	7	D401,402,404,406,912,9
13041003901	ZENER DIODE 3.9V{TAPING}	1	ZD601
13041005101	ZENER DIODE 5.1V 1/2W +-5%(TAPING)	1	ZD106
13041005601	ZENER DIODE 5.6V{TAPING}	1	ZD402
13041008201	ZENER DIODE 8.2V{TAPING}	1	ZD905
13041057400	ZENER DIODE UPC 574J NEC	1	ZD101

PART NUMBER DESCRIPTION QTY LOCATION

13041109101	ZENER DIODE 9.1V	6	ZD103,104,105,107,401
13051314400	LED LAMPS 3MM RED (ROUND)#03144PR "GLORY"	1	ALED601 (FOR REMOTE CONTROL
13121101315	TRANSISTOR 2SA1013(O) TOSHIBA	1	Q906
13121101500	TRANSISTOR 2SA1015 TOSHIBA	4	Q104,106,201,508
13122077420	TRANSISTOR 2SB774/Q/R/S{TAPING}	1	Q902
1312318090A	TRANSISTOR 2SC1809 ROHM{TAPING}	1	Q101
1312318150A	TRANSISTOR 2SC1815 TOSHIBA{TAPING}	19	Q606,801,803,901,903,
13123223000	NPN-TR 2SC2230A-Y (TOSHI) TO92VCE=180V IC=.1A HFE=120-240	1	Q905
13123233530	TRANSISTOR 2SC2335 L/K NEC	1	Q907
1312324820A	TRANSISTOR 2SC2482 TOSHIBA{TAPING}	5	Q401,501,502,503,507
13123528701	TRANSISTOR 2SC5287 SANKEN	1	Q904
13124040000	TRANSISTOR 2SD400E/F SANYO	1	Q403
13124140627	TRANSISTOR 2SD1406-GR TOSHIBA	1	Q203
13124155500	TRANSISTOR 2SD1555 TOSHIBA	1	Q402
13146236900	TRANSISTOR PH2369 PHILIPS	1	Q301
13310123814	I.C. TB1238AN TOSHIBA	1	IC101
13310240431	I.C. M24C04B6 SGS-THOMSON	1	IC602
13310791016	IC LA7910 SANYO	1	IC301
13320780531	I.C. L7805CV SGS	1	IC901
13320780931	REGULATOR 7809 9V SGS	1	IC402
13320821314	I.C. TA8213K AUDIO POWER AMP.TOSHIBA	1	IC201
13320840314	I.C. TA8403K TOSHIBA	1	IC401
13335873814	I.C. TMP87CM38N-2A55FOR 21 PIN "TOSHIBA"	1	IC601
13340405333	I.C. HEF4053BP PHILIPS	1	IC001
13650003800	REMOTE CONTROL RECEIVERHS0038A2 "TEMIC"	1	AOPT601 (FOR REMOTE CONTROL
13713875030	13.875 MHZ CRYSTAL	1	X801
13744361820	CRYSTAL 4.43 MHZ "TEC"	1	X101
13780000020	CRYSTAL 8.0 MHZ KITRONICS	1	X601
14610000614	POWER SWITCH PS5E-B"CHINA LANDMARK"	1	S901
14610411202	TACT SWITCH 4 PIN L=9.5MM 100G#1102D-4 "PROMOTION"	7	S601A,602A,603A,604A ,605A,606A,607A
16010100108	PIN CONNECTOR 1 PIN PLUGSTRAIGHT	3	CN501,901,902
16010225527	PIN CONNECTOR 2 PINS PLUGSTRAIGHT (UL) (S.H.S)	2	CN201,202
16010280508	PIN CONNECTOR 2 PIN PLUGSTRAIGHT	1	CN903
16010325527	PIN CONNECTOR 3 PINS PLUG	1	CN203
16010425527	PIN CONNECTOR 4 PINS PLUG(SHS)	3	CN001 PIN 1 - PIN
16010480508	PIN CONNECTOR 4 PIN PLUGSTRAIGHT	1	CN401
16010525527	PIN CONNECTOR 5 PINS WAFER2.5 PITCH	1	CN101
16147000300	RCA JACK HYJ-032-03BY YELLOW(ANGLE) "MING FUNG"	2	J101,101A
16147001506	RCA JACK 2 PIN WHITE RIGHTANGEL "SHENZHEN LONGGUANG"	2	J102,102A
16154350505	CRT SOCKET ISHL-35 IN CHANG(NECK (29MM)	1	
17262002040	UL 1007 TOP COAT WIRE AWG 20200MM BLACK 10 X 10 MM	1	CRT FLAT BRIDED WIRE TO TUNER GND
17262600640	UL 1007 TOP COAT WIRE #26 60MMBLACK 5 X 5	1	W094 TO SHIELD CAN
17262600840	UL 1007 TOP COAT WIRE AWG2680MM BLACK 10 X 10 MM	1	Q904 LUG TO MAIN PCB `E1`
17262601440	UL 1007 TOP COAT WIRE AWG 26140MM BLACK 10 X 10 MM	2	FOR SPK.GRILLE IN SERIES RES.5M6
17272600099	BARE WIRE 54MM	6	FROM TUNER TO
17283012099	FLAT BRIDED WIRE	1.2	FOR CRT BOARD

PART NUMBER DESCRIPTION QTY LOCATION

17900101000	OIL SLEEVING 1 MM DIA.	0.1	14MM FOR C440
17910500000	UL PVC TUBE 5MM DIA	1.1	L=950MM,40MM FOR SPK. L',550MM FOR
17911050000	UL PVC TUBE 11MM DIA.	1.1	30MM FOR FRONT AV WIRE,230MM FOR S901 TO CN901,902
17940308000	SHRINKABLE TUBE	0.1	60MM FOR AC LINE,60MM FOR TWO
18223315003	FUSE T3.15A 250V	1	F901
19020210410	REMOTE CONTROL P.C.B(15092000)	1	
190202110P6	CHANNEL P.C.B (15092000)	1	
190382506P8	SIDE JACK PCB(28122000)	1	
190942001P0	CRT P.C.B. (21022001)	1	
190942030P1	MAIN P.C.B.(23052001) L-1 LED	1	
19110003010	1 PIN SOCKET ASS'Y L=300MM	1	FROM CRT GND TO
19110101610	1 PIN DOUBLE INSOLATION WIREAWG 18 L=340MM BLUE	1	FROM CN901 TO POWER PCB `B'
19110101710	1 PIN DOUBLE INSOLATION WIREAWG 18 L=340MM BROWN	1	FROM CN902 TO POWER PCB `A'
19120004410	2 PIN SOCKET ASS'Y L=440MM	1	FROM CN202`1' TO L-SPEAKER `+',`2' TO
19120005610	2 PIN SOCKET ASS'Y L=560MM	1	FROM CN201`1' TO R-SPEAKER `+',`2' TO
19140101210	4 PIN SOCKET ASS'Y L=220MM	1	CN906 TO CN906A`1'TO`1',`2'TO`2',`3'TO`3',`4'TO`4'
19140103910	4 PIN SOCKET ASS'Y L=420MM(FLAT CABLE) UL2468 #26	1	CN402 `1' TO CRT PCB `C',`2',`3' TO `B',`4' TO
19140104510	4 PIN L=400MM (P 1-2 GREY, P3-4 BROWN W/S.SHIELD) #26 UL1185	1	`3' TO `3',`4' TO `4'
19140121910	4 PIN FLAT CABLE L=240MM(1 SIDE SOCKET, 1 SIDE PLUG)	1	`4' TO `4'
19150102710	5 PIN SOCKET ASS'Y L=360MM(FLAT CABLE) #26 UL2468	1	`4'TO`G', `5'TO`H' ON CRT PCB
51430340810	SELF-TAPPING SCREW 3 X 8 B/T(HARDEN)	1	FOR IC901 MTG.
51530331010	SELF-TAPPING SCREW 3 X 10W/P/A (HARDEN)	3	FOR IC401,402,Q402
51730331210	SELF-TAPPING SCREW 3 X 12 W/AW/H=7MM (HARDEN)	1	FOR Q904
51830011020	SELF - TAPPING SCREW 3 X 10B/T HARDEN	1	FOR IC201
54001704001	EYELET 1.7 X 4 MM	11	2-R423, 2-L401, 3-T901 `6',`9',`11',4-L901
54002003001	EYELET 2 X 3 MM	4	2-T402`1',`2',1-
58010126101	CABLE TIE L=100MM	14	2-CRT FLAT BRIDED WIRE,2-SPK.WIRE,2-
58010226100	CABLE TIE L=200MM W=2.5MM	4	FOR DEGAUSSING
58010326100	CABLE TIE L=300MM W=3.5MM	4	FOR DEGAUSSING
74606310101	AC LINE CORD PIN	4	A.B.C.D. ON MAIN
75006310100	SOLDERING LUG LEG:8X4MM	1	FOR Q904
75006310201	35MM SOLDERING LUGOD:7 ID:3.2 LEG:4X35MM	4	FOR AC LINE CORD, SPK.CONNECTOR
76668680100	FUSE HOLDER	2	FOR FB901
77993130200	IRON HEAT SINK	1	FOR IC201
781821A0100	ALUMINIUM HEAT SINK (SANYO)	1	FOR IC901
78193130201	ALUMINIUM HEAT SINK	1	FOR IC401,IC402,Q402
78194211200	HEAT SINK (A)	1	FOR Q904
78393130403	SHIELD CAN	1	

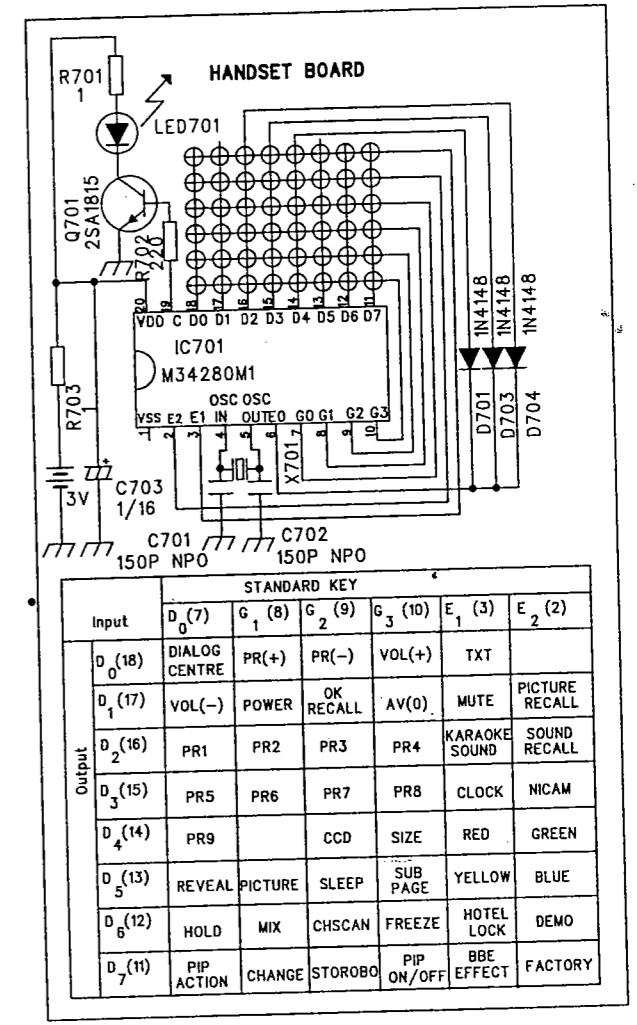
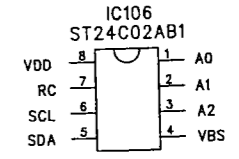
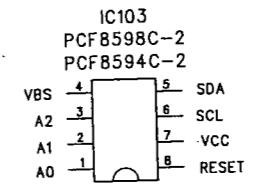
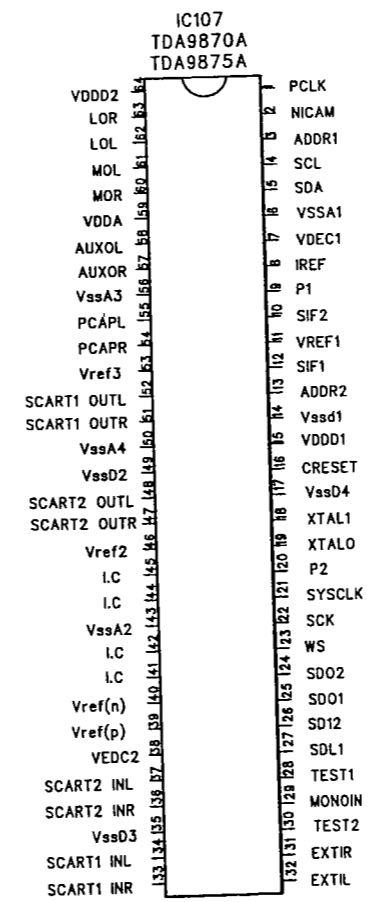
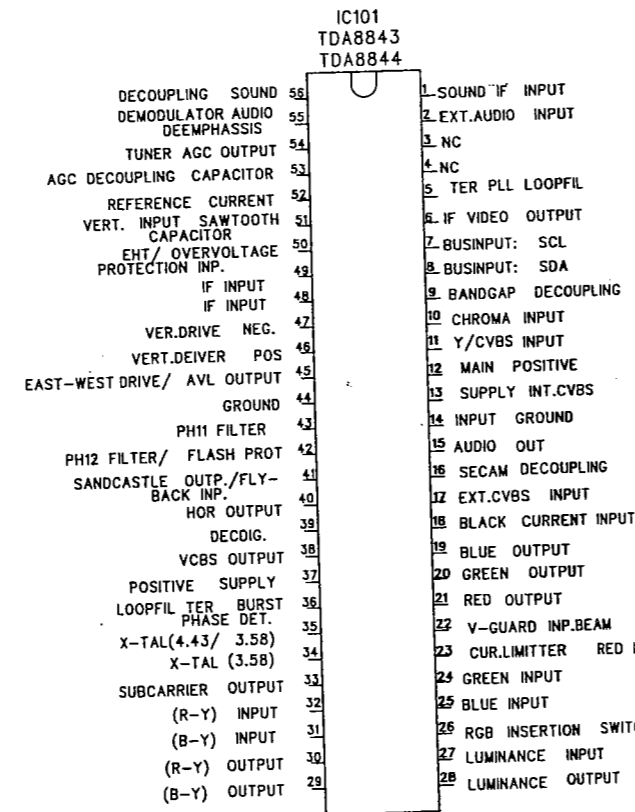
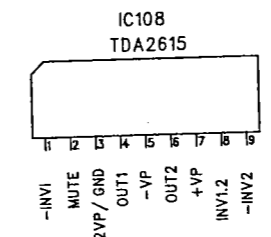
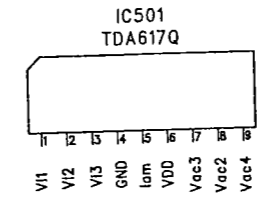
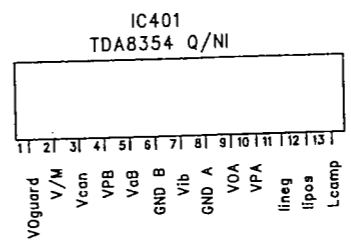
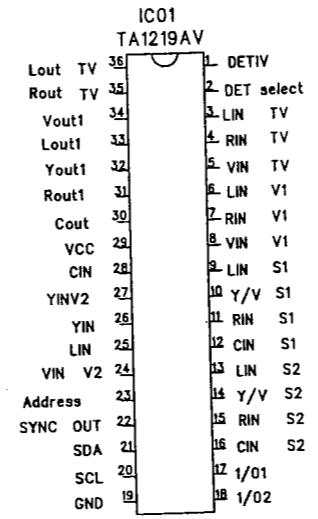
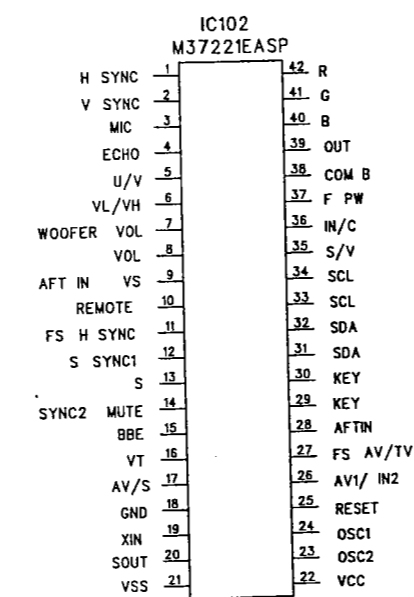
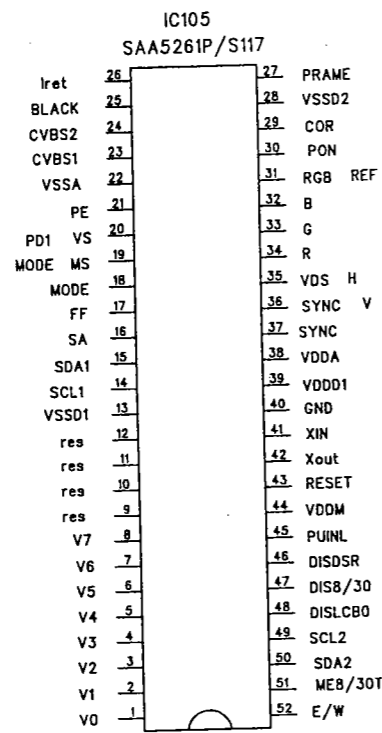
PART NUMBER

DESCRIPTION

QTY

LOCATION

78393130507	SHIELD CAN COVER	1	
929821C0100	REMOTE BRACKET	1	



DRAWN: ZHANG CAI FANG MANDY(H.K.)	DATED: 181299	ART-TECH VIDEO ENGINEERING LTD.	
CHECKED: HE ZHI QIANG		TITLE: SCHEMATIC DIAGRAM MAIN P.C.B. :190-932912-P1 P/N:692-3829MB-01 SYSTEM: IC CIRCUIT	
QUALITY CONTROL:	DATED:	DOC NUMBER: 932912P-01	REV:
RELEASED:	DATED:	SCALE: 1 : 1	SHEET: 1 OF 1

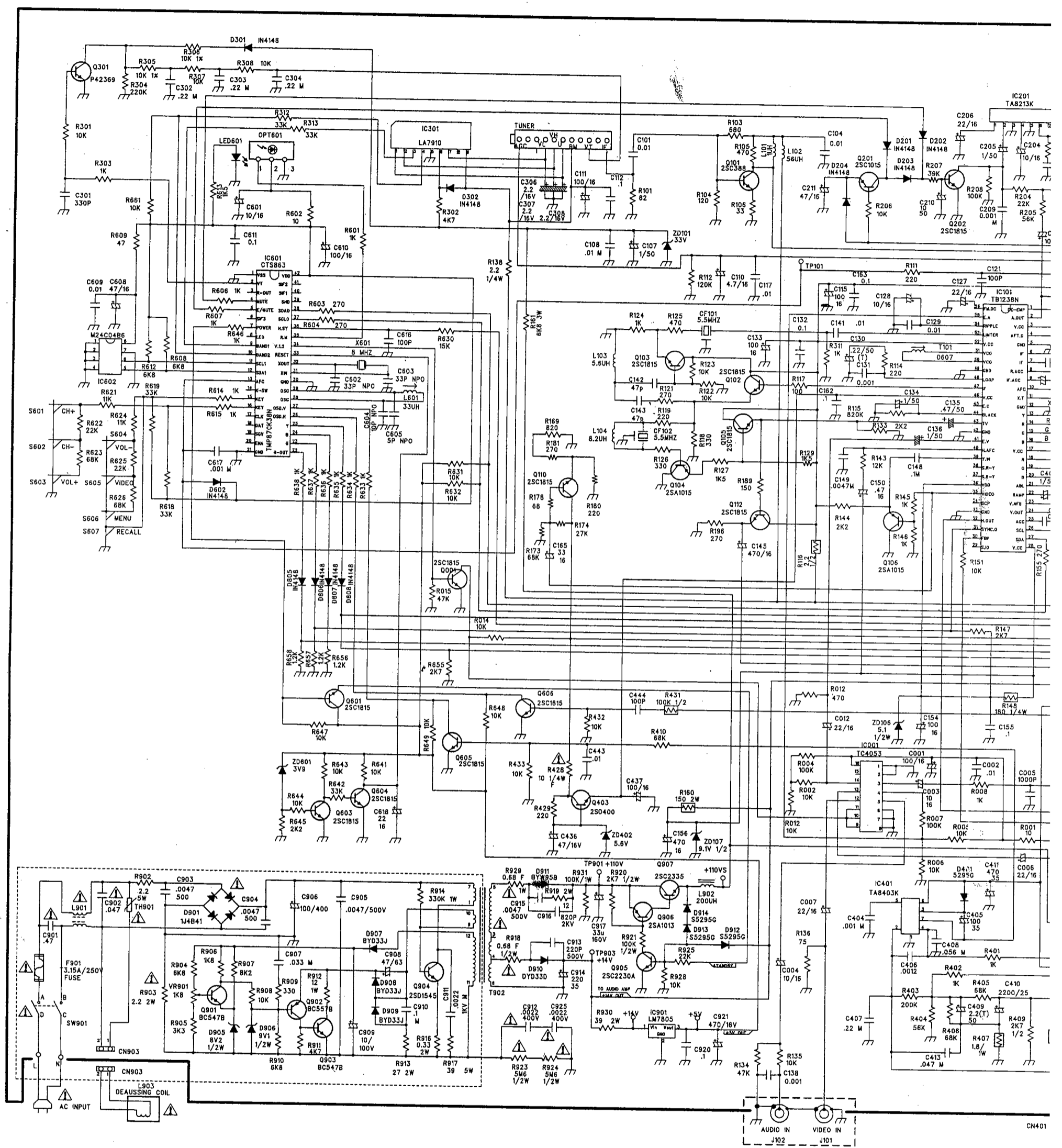
11-10-101-11-20101
A7-108101

D

C

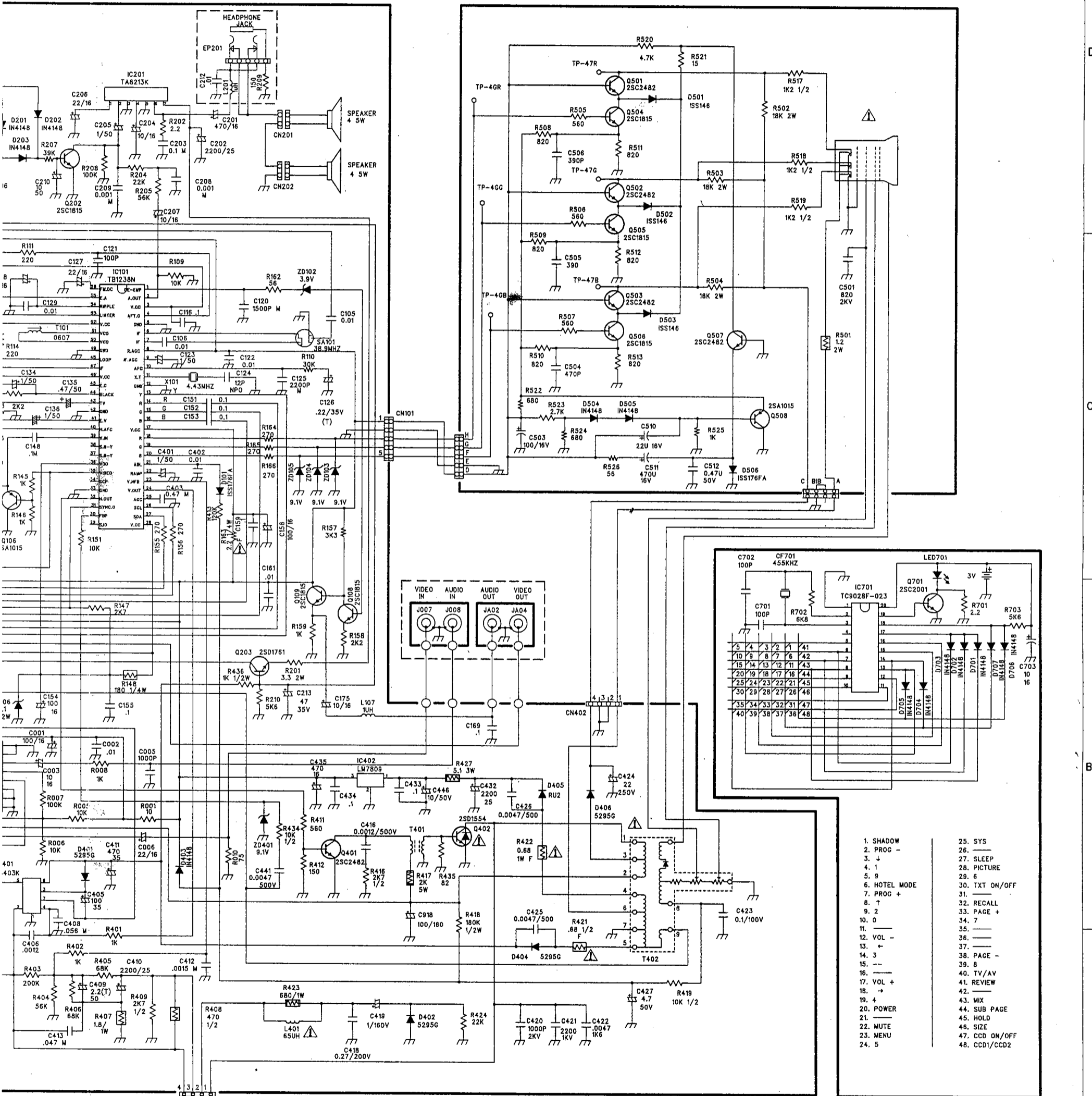
B

A



CN401

REVISION RECORD		
LTR	ECC NO.	APPROVED DATE

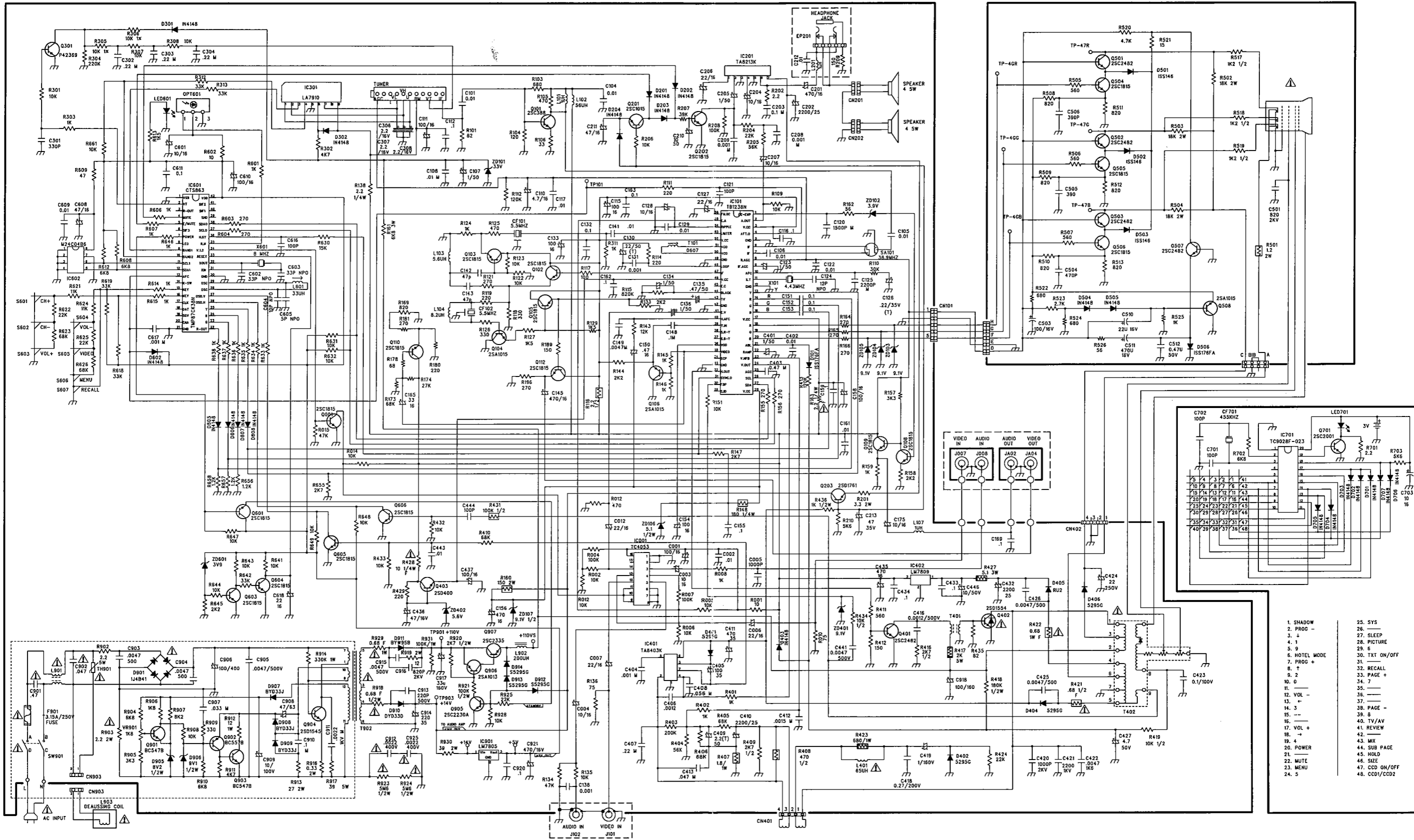


- 1. SHADOW
- 2. PROG -
- 3. ↓
- 4. 1
- 5. 9
- 6. HOTEL MODE
- 7. PROG +
- 8. ↑
- 11. -
- 12. VOL -
- 13. ←
- 14. 3
- 15. -
- 16. -
- 17. VOL +
- 18. →
- 19. 4
- 20. POWER
- 21. -
- 22. MUTE
- 23. MENU
- 24. 5
- 25. SYS
- 26. -
- 27. SLEEP
- 28. PICTURE
- 29. 6
- 30. TXT ON/OFF
- 31. -
- 32. RECALL
- 33. PAGE +
- 34. 7
- 35. -
- 36. -
- 37. -
- 38. PAGE -
- 39. 8
- 40. TV/AV
- 41. REVIEW
- 42. -
- 43. MIX
- 44. SUB PAGE
- 45. HOLD
- 46. SIZE
- 47. CCD ON/OFF
- 48. CCD1/CCD2

COMPANY: ART-TECH ENGINEERING LTD.	
SYSTEM: PAL BG N-PLAY AV-IN/OUT HEADPHONE-JACK HOTEL LOCK	
MAIN BOARD: 190-942030-P1	
DRAWN: MANDY	DATED: 20022001
CHECKED: WONG YIM FAI	DATED: 20022001
QUALITY CONTROL:	DATED:
RELEASED:	DATED:
Document No:	942030P-01
SCALE:	SHEET: OF

E77-318/01

REVISION RECORD		
LTR	ECO NO.	APPROVED DATE



- 1. SHADOW
- 2. PROG -
- 3. ↓
- 4. 1
- 5. 9
- 6. HOTEL MODE
- 7. PROG +
- 8. ↑
- 9. 2
- 10. 0
- 11. 0
- 12. VOL -
- 13. +
- 14. 3
- 15. -
- 16. 0
- 17. VOL +
- 18. ↓
- 19. 4
- 20. POWER
- 21. MUTE
- 22. MENU
- 23. MENU
- 24. S
- 25. SYS
- 26. 0
- 27. SLEEP
- 28. PICTURE
- 29. 6
- 30. TXT ON/OFF
- 31. 0
- 32. RECALL
- 33. PAGE +
- 34. 7
- 35. 0
- 36. PAGE -
- 37. 0
- 38. 8
- 39. TV/AV
- 40. REVIEW
- 41. 0
- 42. 0
- 43. MIX
- 44. SUB PAGE
- 45. HOLD
- 46. SIZE
- 47. CDD ON/OFF
- 48. CDD/CDD2

CTM51504

COMPANY: ART-TECH ENGINEERING LTD.	
SYSTEM: PAL BD N-PLAY AV-IN/OUT HEADPHONE-JACK HOTEL LOCK	
DRAWN: MANDY	DATE: 20022001
CHECKED: WONG YIM FAI	DATE: 20022001
QUALITY CONTROL:	DATE:
RELEASED:	DATE:
MAIN BOARD:190-942030-P1	
Document No:	942030P-01
SIZE: A0	REV: 1
SCALE:	SHEET: 0F

511-318/01